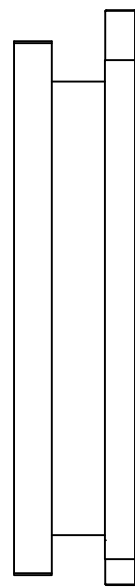
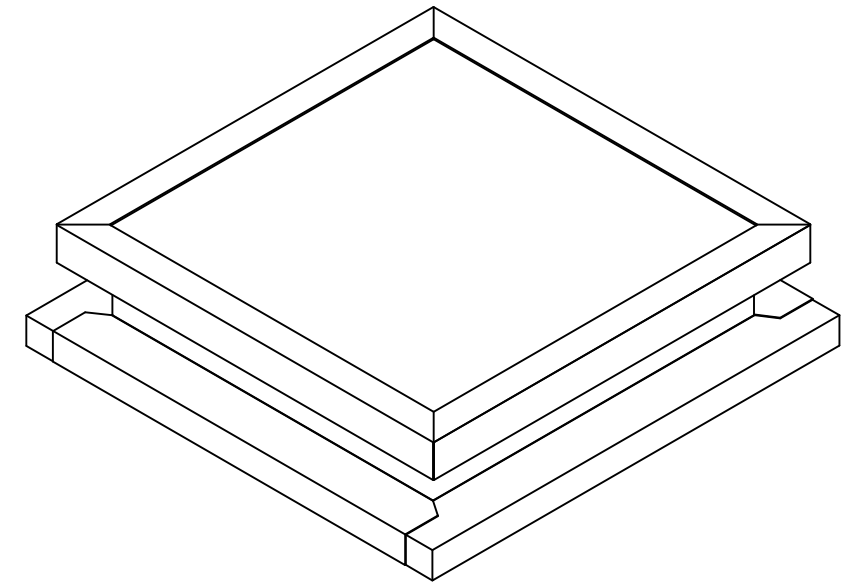


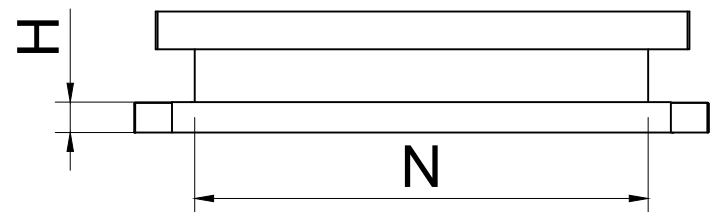
TOP VIEW



LEFT VIEW



ISOMETRIC VIEW



FRONT VIEW

SKYWINDOW FIXED DOUBLE GLAZED - STANDARD (SQUARE)

PRODUCT CODE	A (mm)	B (mm)	H (mm)	N (mm)
GSL400AU-DG	560	560	40	400 x 400
GSL500AU-DG	660	660	40	500 x 500
GSL600AU-DG	760	760	40	600 x 600
GSL800AU-DG	960	960	40	800 x 800
GSL900AU-DG	1060	1060	40	900 x 900
GSL1000AU-DG	1160	1160	40	1000 x 1000
GSL1100AU-DG	1260	1260	40	1100 x 1100
GSL1200AU-DG	1360	1360	40	1200 x 1200

SKYWINDOW FIXED DOUBLE GLAZED - STANDARD (RECTANGULAR)

PRODUCT CODE	A (mm)	B (mm)	H (mm)	N (mm)
GSL4080AU-DG	560	760	40	400 x 600
GSL4060AU-DG	560	960	40	400 x 800
GSL40110AU-DG	560	1260	40	400 x 1100
GSL5070AU-DG	660	860	40	500 x 700
GSL50110AU-DG	660	1260	40	500 x 1100
GSL50140AU-DG	660	1560	40	500 x 1400
GSL6090AU-DG	760	1060	40	600 x 900
GSL60120AU-DG	760	1360	40	600 x 1200
GSL80110AU-DG	960	1260	40	800 x 1100
GSL80140AU-DG	960	1560	40	800 x 1400

LEGEND:
 A = WIDTH
 B = LENGTH
 H = HEIGHT
 N = NOMINAL SIZE

DO NOT SCALE DRAWINGS, USE FIGURED DIMENSIONS



12 Turbo Road,
 Kings Park,
 NSW 2148
 © 2019 SkySpan
 All Rights Reserved.

COPYRIGHT: THE DESIGN AND DETAILS SHOWN ON THIS DRAWING ARE SPECIFIC TO THIS PROJECT ONLY AND MAY NOT BE REPRODUCED IN WHOLE OR IN PART OR BE USED FOR ANY OTHER PROJECT OR PURPOSE WITHOUT THE WRITTEN CONSENT OF SKYSPAN AUSTRALIA PTY LTD.

Rev.	Issue / Amendment	By	App. Date
P1	ONLINE OVERVIEW	KC	22/03/19

Client

Project

ONLINE PRODUCT OVERVIEW

Title

SKYWINDOW FIXED DOUBLE GLAZED - STANDARD

Designed		RF
Scale at A3	Date	Drawn
	22/03/19	KC
Job No.	Drawing No.	Amdt.
	GSL-AU_STD-DG	P1