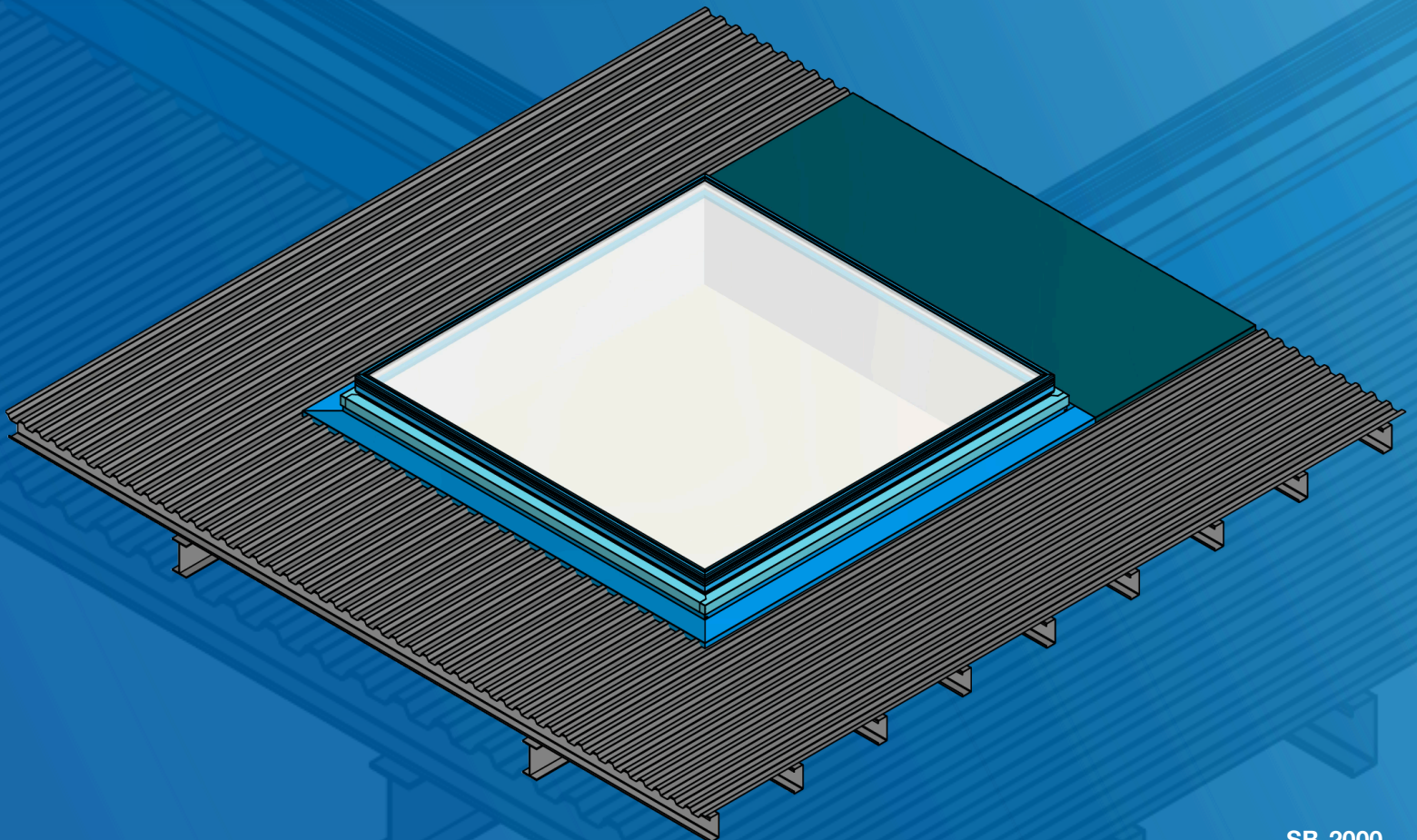




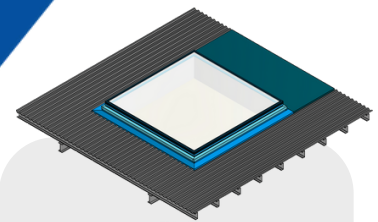
SKYSPAN
AUSTRALIA PTY LTD

Installation Instructions

GXL Steel Hob
0° Trimdek



GXL Steel Hob 0° Trimdek



**GXL Steel Hob
0° Trimdek**

SUITABLE FOR SKYSPAN TRADITIONAL SKYLIGHTS

SUITABLE FOR MOST METAL ROOFING PROFILES:

Roof pitch range:  0° - 60°

Trimdek:



Kliplok:



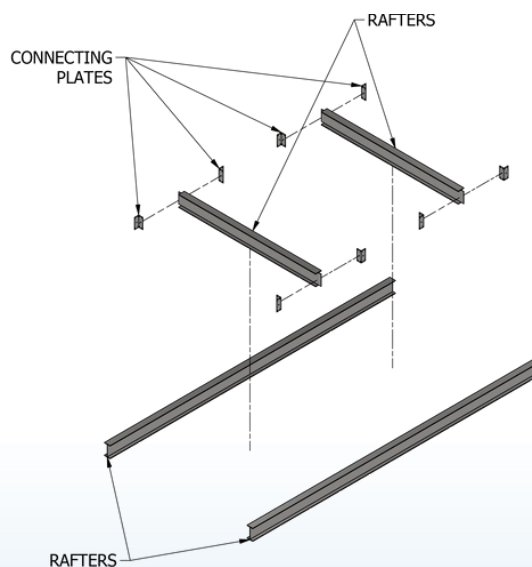
Corrogated:



| SINGLE GLAZED CODES | DOUBLE GLAZED CODES |
|---------------------|---------------------|
| GXL100150HB-SG | GXL100150HB-DG |
| GXL100200HB-SG | GXL100200HB-DG |
| GXL100250HB-SG | GXL100250HB-DG |
| GXL100300HB-SG | GXL100300HB-DG |
| GXL100350HB-SG | GXL100350HB-DG |
| GXL100400HB-SG | GXL100400HB-DG |
| GXL100450HB-SG | GXL100450HB-DG |
| GXL100500HB-SG | GXL100500HB-DG |
| GXL150150HB-SG | GXL150150HB-DG |
| GXL150200HB-SG | GXL150200HB-DG |
| GXL150250HB-SG | GXL150250HB-DG |
| GXL150300HB-SG | GXL150300HB-DG |
| GXL150350HB-SG | GXL150350HB-DG |
| GXL150400HB-SG | GXL150400HB-DG |
| GXL150450HB-SG | GXL150450HB-DG |
| GXL150500HB-SG | GXL150500HB-DG |
| GXL200200HB-SG | GXL200200HB-DG |
| GXL200250HB-SG | GXL200250HB-DG |
| GXL200300HB-SG | GXL200300HB-DG |
| GXL200350HB-SG | GXL200350HB-DG |
| GXL200400HB-SG | GXL200400HB-DG |
| GXL200450HB-SG | GXL200450HB-DG |
| GXL200500HB-SG | GXL200500HB-DG |
| GXL250250HB-SG | GXL250250HB-DG |
| GXL250300HB-SG | GXL250300HB-DG |

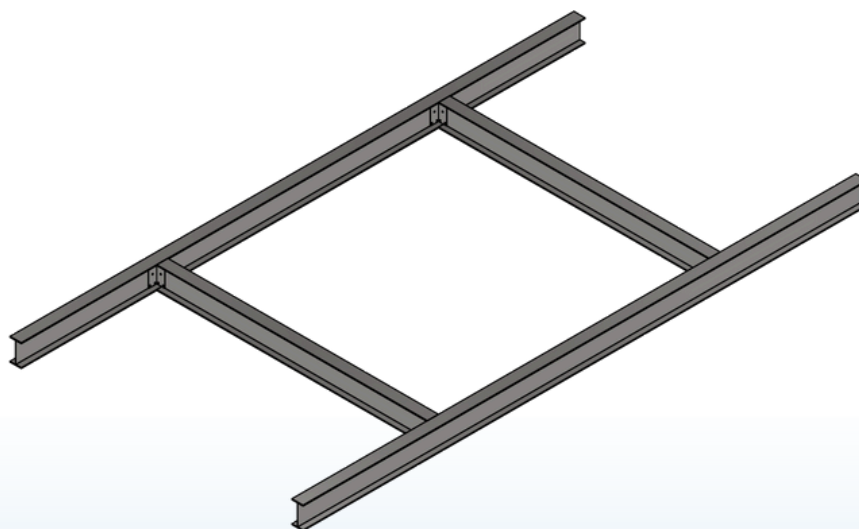


01



Located desired position to fix additional horizontal rafters to main rafters.

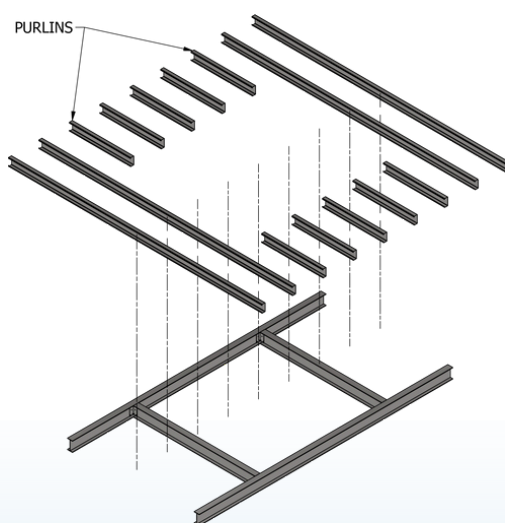
02



Fix additional rafters through connecting plates using bolts. See figure above for the assembled view.

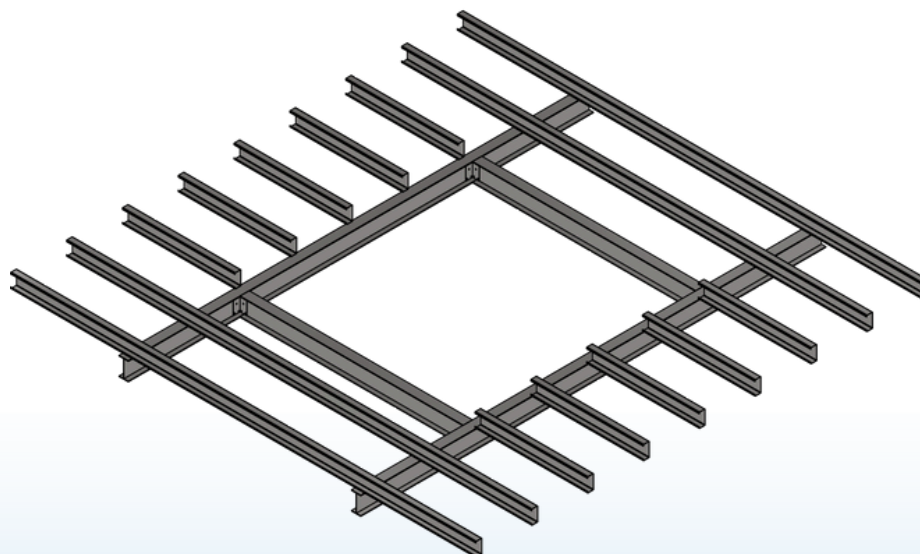


03



Locate and mark desired positions for the purlins.

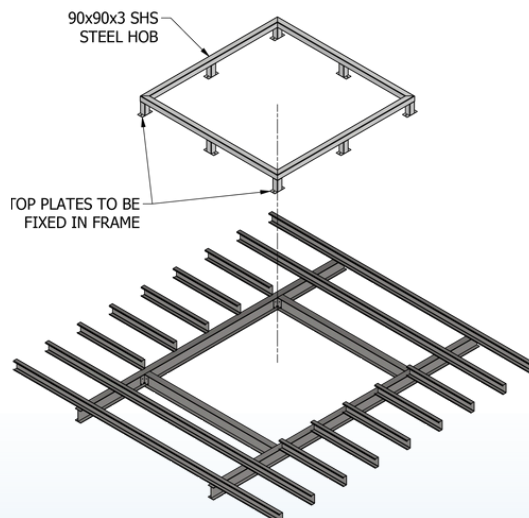
04



Fix C-Purlins to I-beam frame using screws. See figure above for the assembled view.

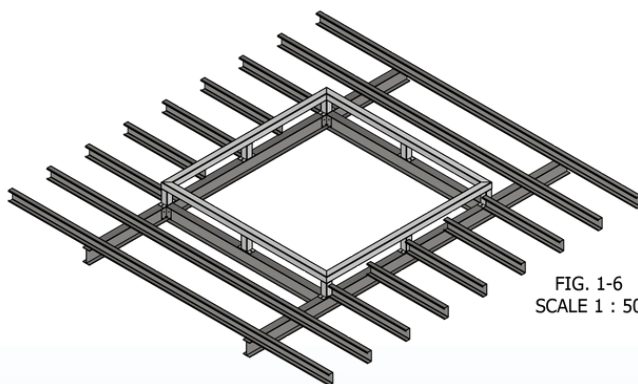
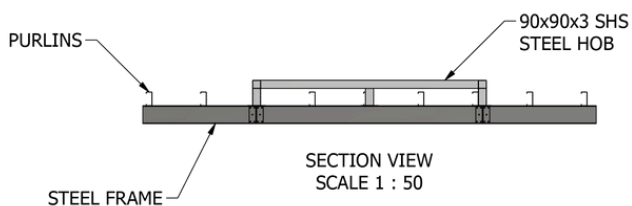


05



Locate and mark desired positions for steel hob.

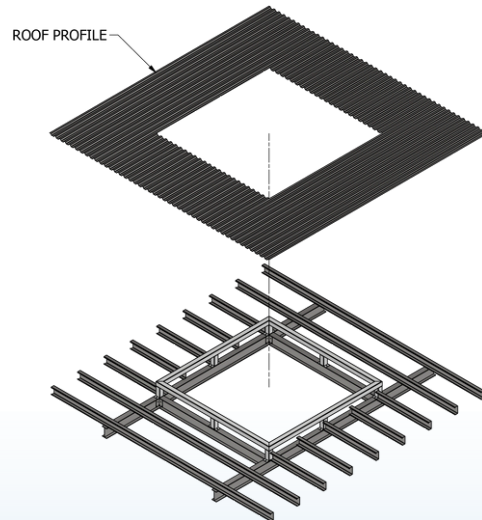
06



Fix steel hob to steel frame with screws. Make sure to align the cuts and top plates.
See figure above for the assembled and section views.

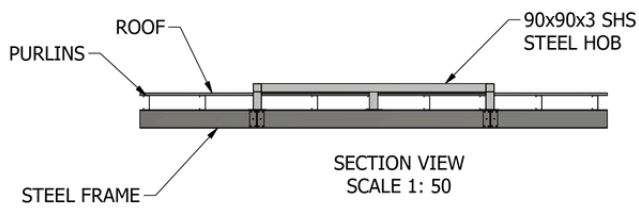


07



Pre-cut roof according to desired size and position.

08



SECTION VIEW
SCALE 1: 50

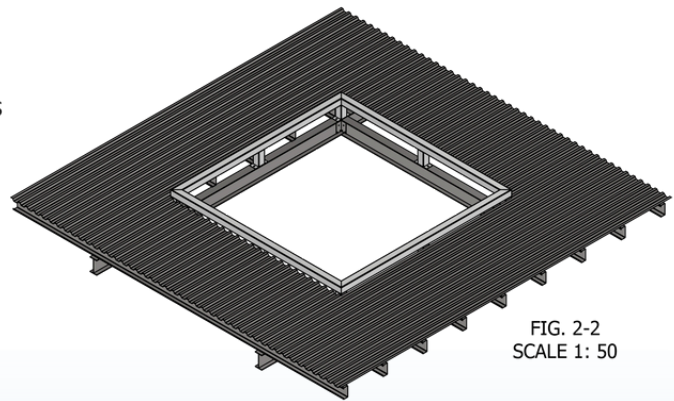
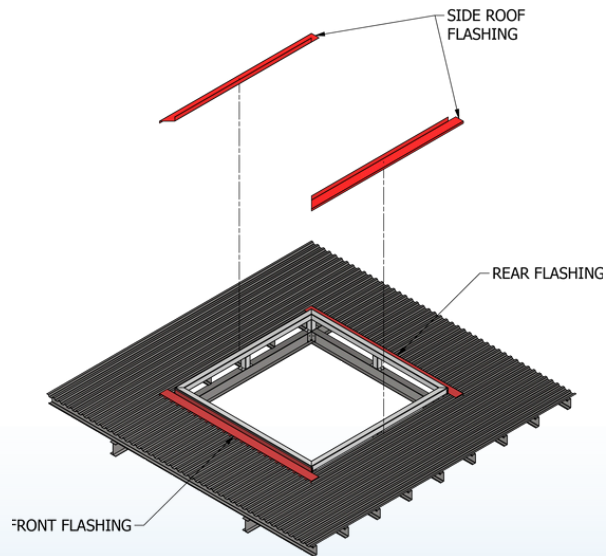


FIG. 2-2
SCALE 1: 50

Fix roof to c-purlins with screws. Make sure to align the cuts.
See figure above for the assembled and section views.

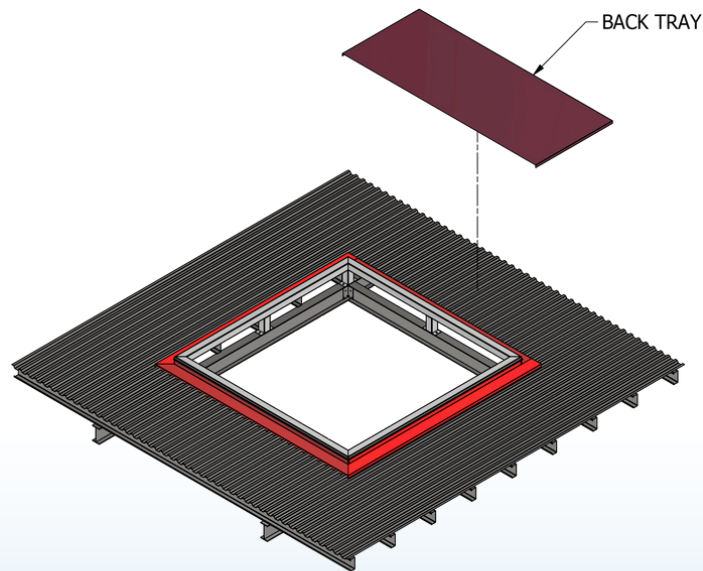


09



Pre-cut front and rear roof flashing to fit on roof profile.
Add first front and rear flashing then overlap side flashings.

10



Secure front and rear flashings together with the side roof flashings with rivets. Once secured, overlap back tray to the roof flashings. Use rivets to fix in position.



11

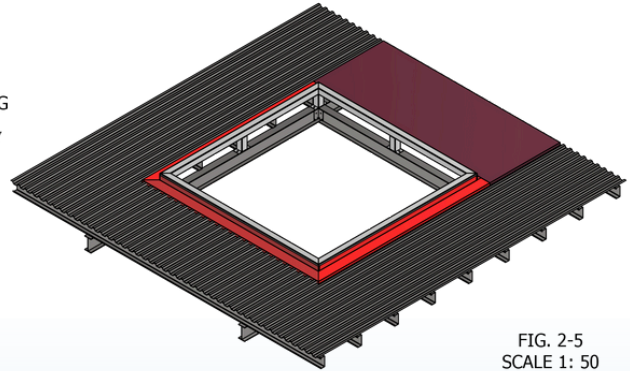
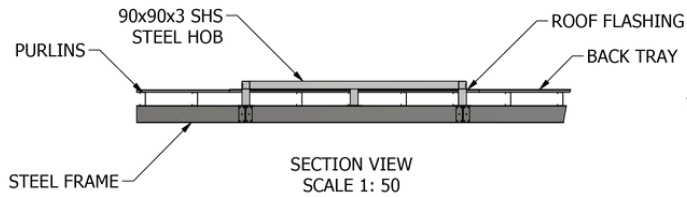


FIG. 2-5
SCALE 1: 50

See figure above for the roof flashing and back tray assembled and section views.

12

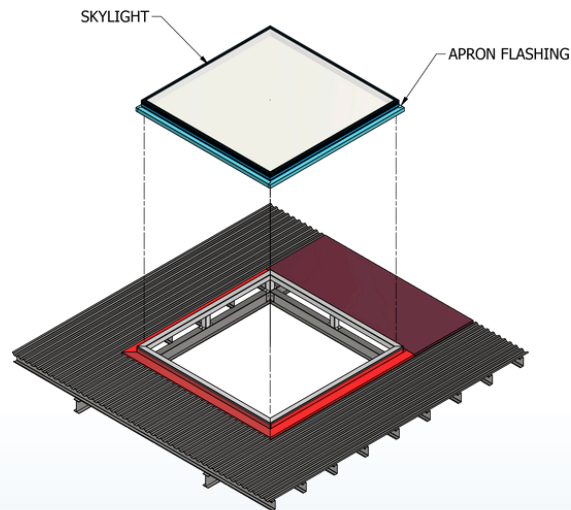
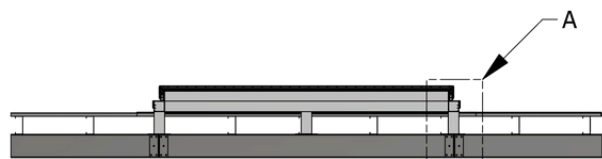


FIG. 2-6
SCALE 1: 50

Overlap pre-assembled skylight with apron flashing to the steel hob and roof flashing.
See figure above for the pre-assembled view to be fixed.



13



SECTION VIEW
SCALE 1: 50

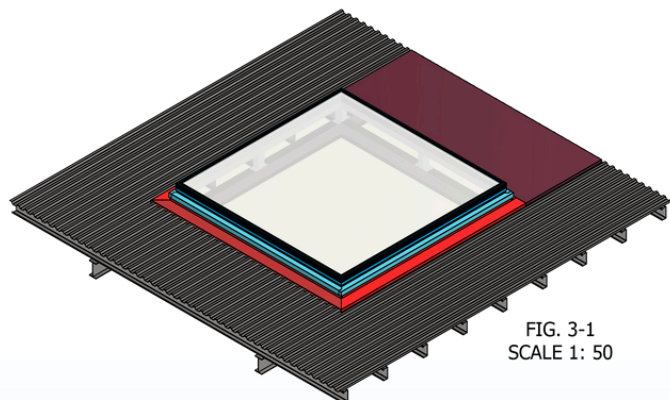
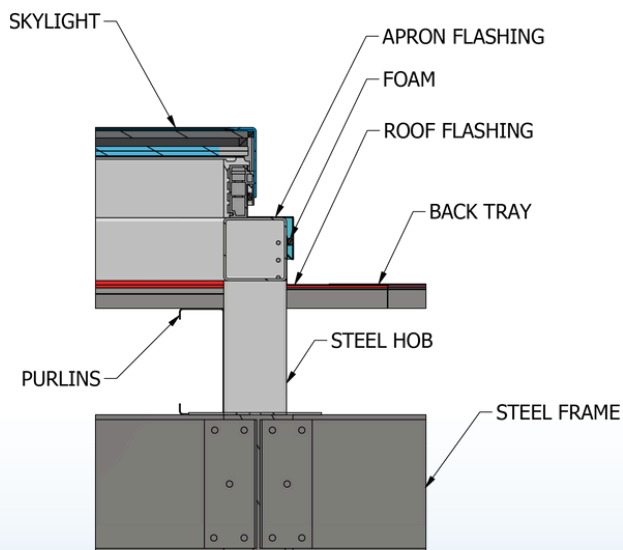


FIG. 3-1
SCALE 1: 50

Secure pre-assembled skylight with apron flashing to the steel hob using screws all around the apron flashing. Then add foam in between roof and apron flashing. See figure above for the assembled and section views.

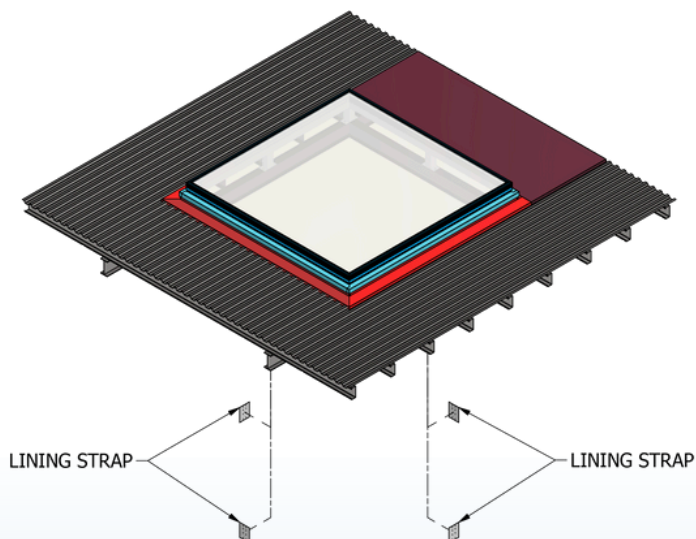
14



See figure above for the detailed section of the assembled view.

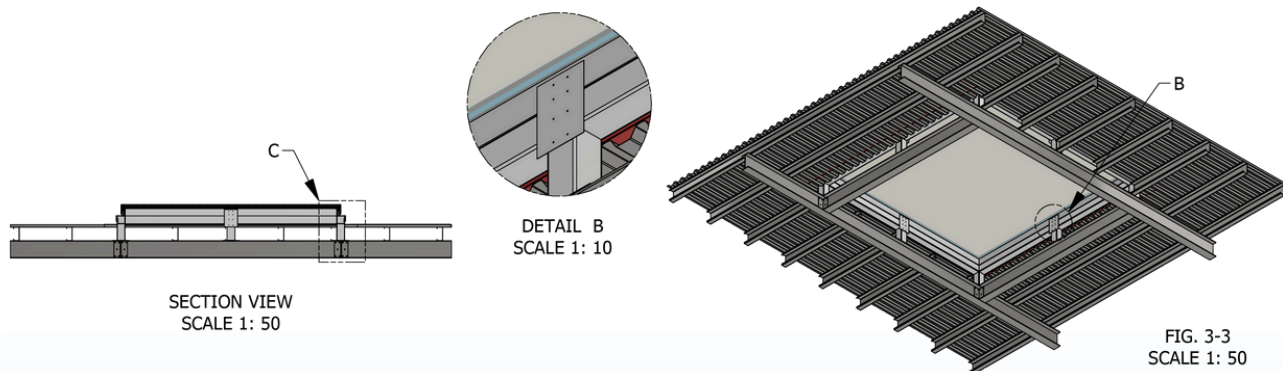


15



Secure skylight position by fixing lining straps to the steel hob. Note that quantity may vary depending on the skylight size. For bigger skylight, 8 pieces of straps is needed. See figure above for quantity and location of straps to be added.

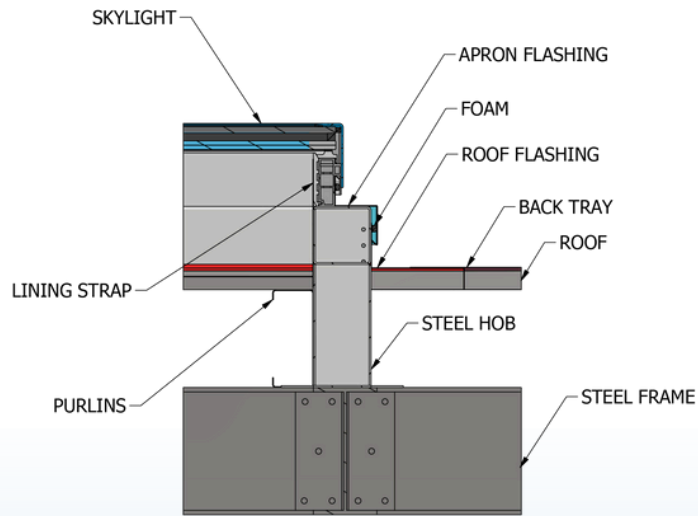
16



See figure above for the assembled, section, and detail views in one corner.

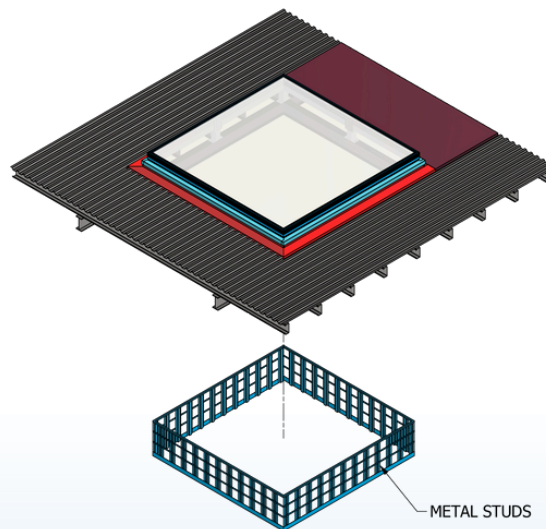


17



See figure above for the detailed section of the assembled view.

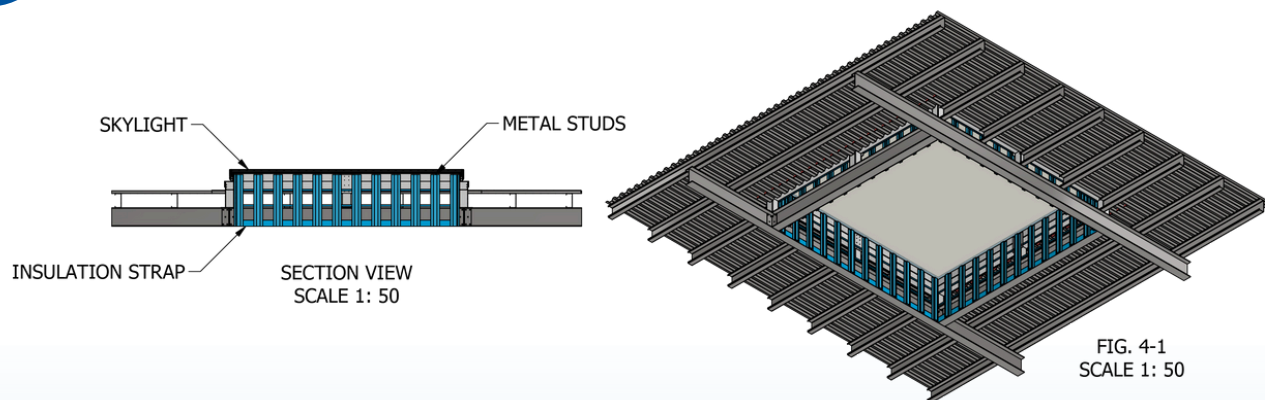
18



Add metal studs to steel hob around the skylight.

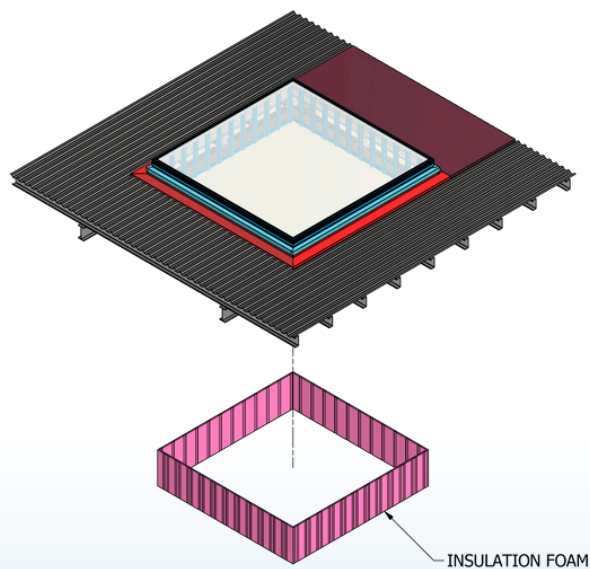


19



Fix metal studs,, add insulation strap around the studs.
See figure above for the section and assembled bottom views.

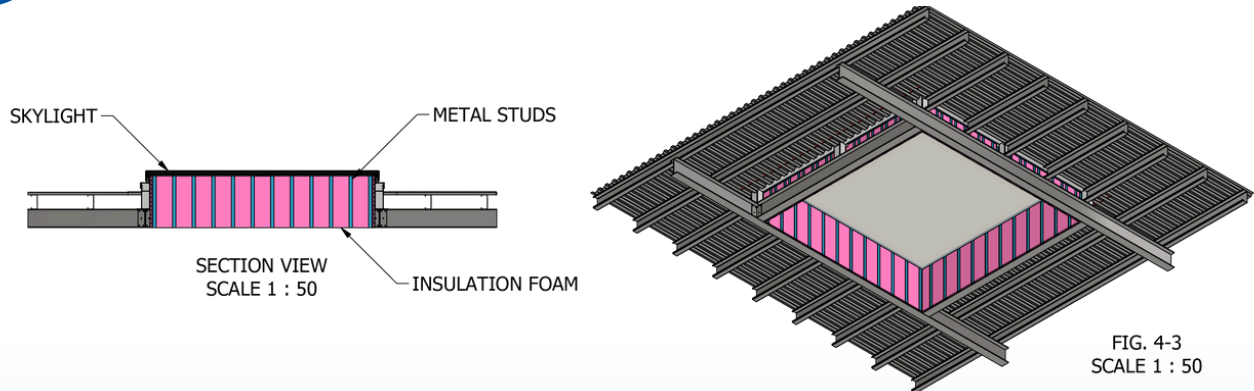
20



Add insulation foam in between metal studs, secure them with the insulation strap around the metal studs.

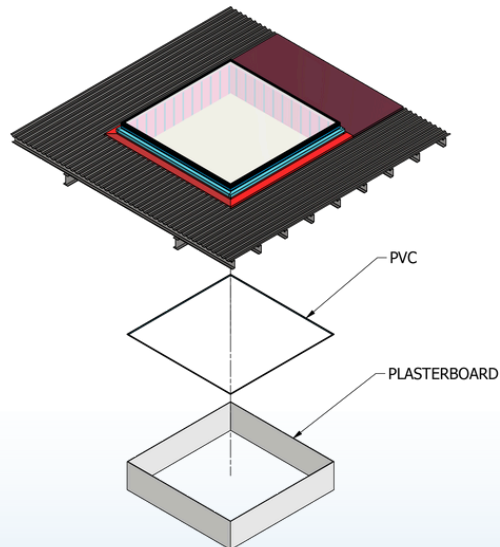


21



See figure above for the section and assembled bottom views.

22



Fix plasterboard to the metal studs and add PVC Cap on top all the way around the plasterboard.



23



SECTION VIEW
SCALE 1: 50

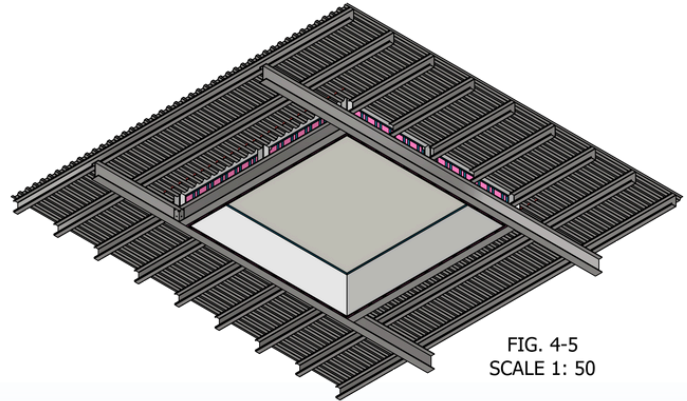
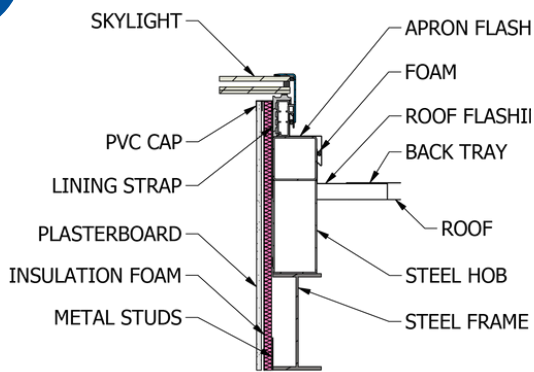


FIG. 4-5
SCALE 1: 50

See figure above for the section and assembled bottom views.

24



DETAIL D
SCALE 1: 10

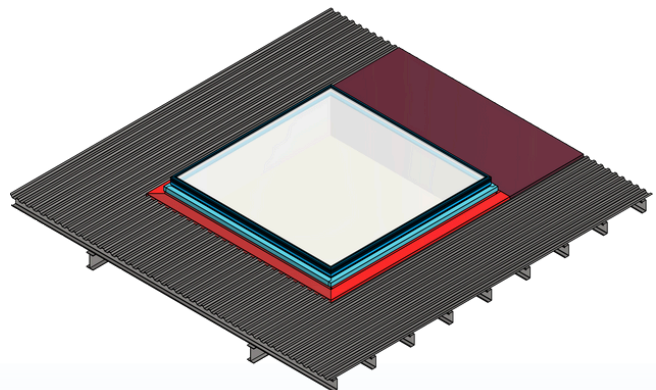
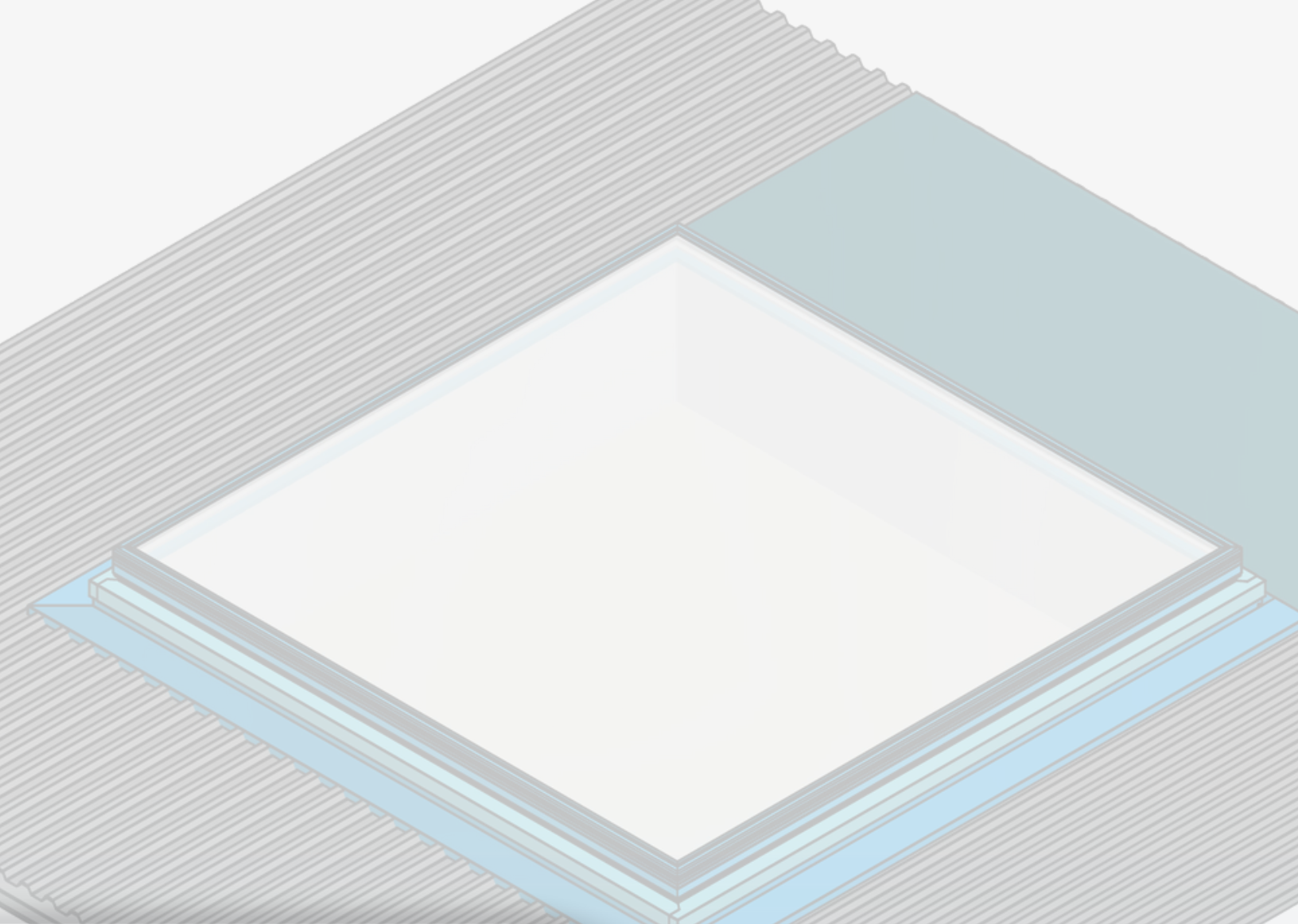


FIG. 4-6
SCALE 1: 55

See figure above for the detailed section and the final assembled views.



SKYSPAN
AUSTRALIA PTY LTD

Installation Instructions

GXL Steel Hob
0° Trimdek

1300 SKYSPAN (759 772)
customer.service@skyspan.com.au
skyspan.com.au