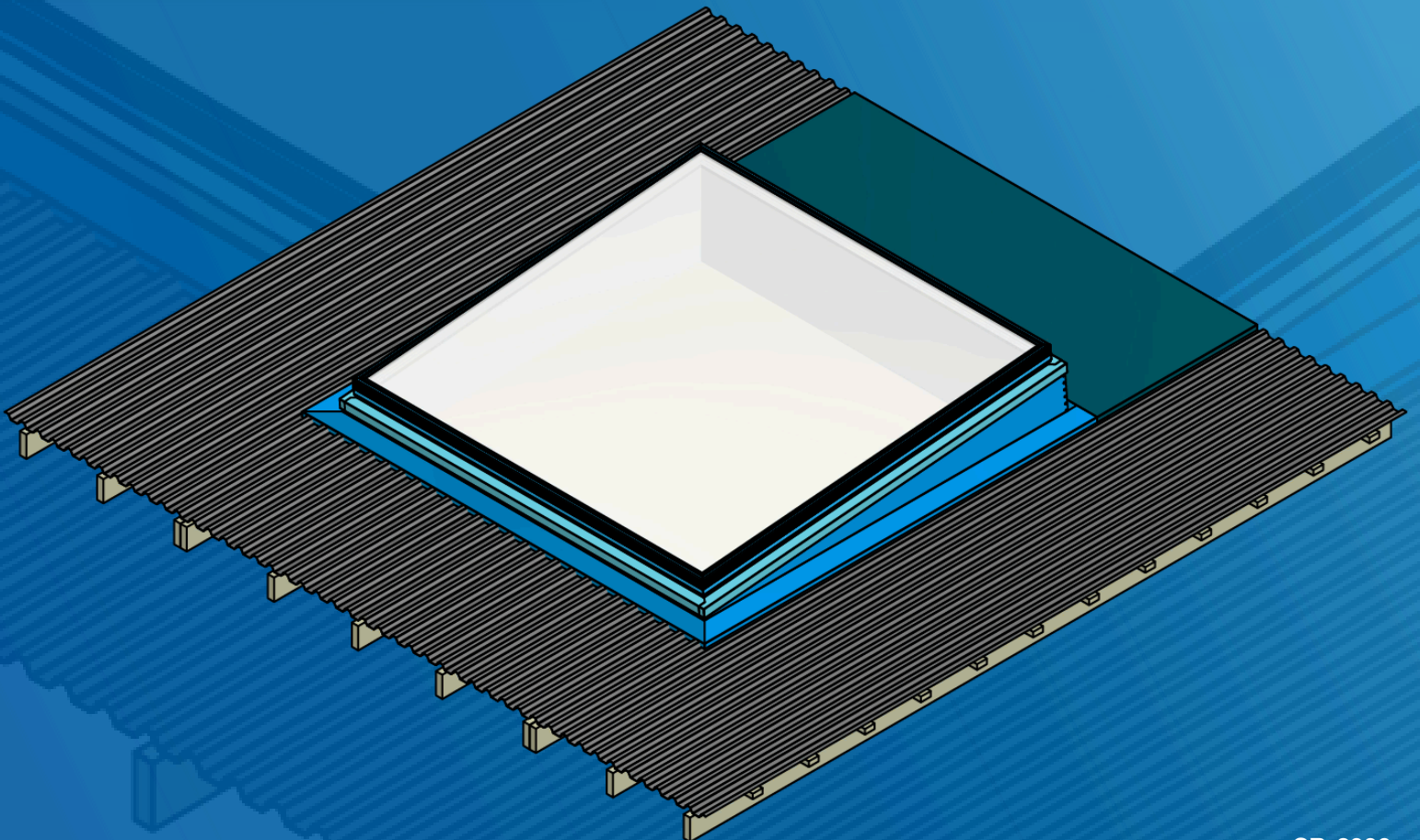




SKYSPAN
AUSTRALIA PTY LTD

Installation Instructions

GXL 5° Timber Hob



GXL 5° Timber Hob



SUITABLE FOR SKYSPAN TRADITIONAL SKYLIGHTS

SINGLE GLAZED CODES	DOUBLE GLAZED CODES
GXL100150HB-SG	GXL100150HB-DG
GXL100200HB-SG	GXL100200HB-DG
GXL100250HB-SG	GXL100250HB-DG
GXL100300HB-SG	GXL100300HB-DG
GXL100350HB-SG	GXL100350HB-DG
GXL100400HB-SG	GXL100400HB-DG
GXL100450HB-SG	GXL100450HB-DG
GXL100500HB-SG	GXL100500HB-DG
GXL150150HB-SG	GXL150150HB-DG
GXL150200HB-SG	GXL150200HB-DG
GXL150250HB-SG	GXL150250HB-DG
GXL150300HB-SG	GXL150300HB-DG
GXL150350HB-SG	GXL150350HB-DG
GXL150400HB-SG	GXL150400HB-DG
GXL150450HB-SG	GXL150450HB-DG
GXL150500HB-SG	GXL150500HB-DG
GXL200200HB-SG	GXL200200HB-DG
GXL200250HB-SG	GXL200250HB-DG
GXL200300HB-SG	GXL200300HB-DG
GXL200350HB-SG	GXL200350HB-DG
GXL200400HB-SG	GXL200400HB-DG
GXL200450HB-SG	GXL200450HB-DG
GXL200500HB-SG	GXL200500HB-DG
GXL250250HB-SG	GXL250250HB-DG
GXL250300HB-SG	GXL250300HB-DG



01

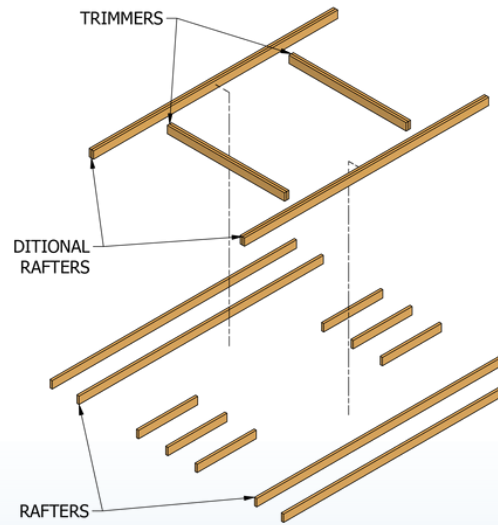
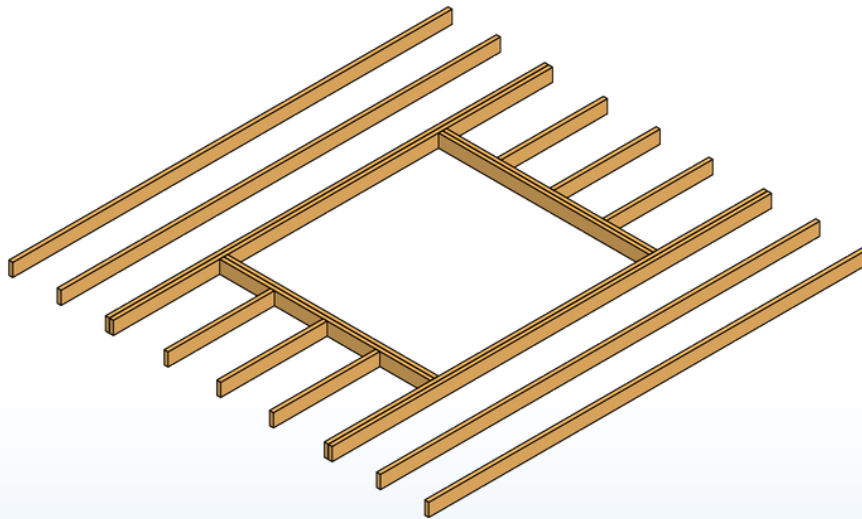


FIG. 1-1
SCALE 1 : 60

Locate desired position to fix the trimmers to the rafters. Add rafters if needed to support the hob.

02



See figure above for the assembled view.



03

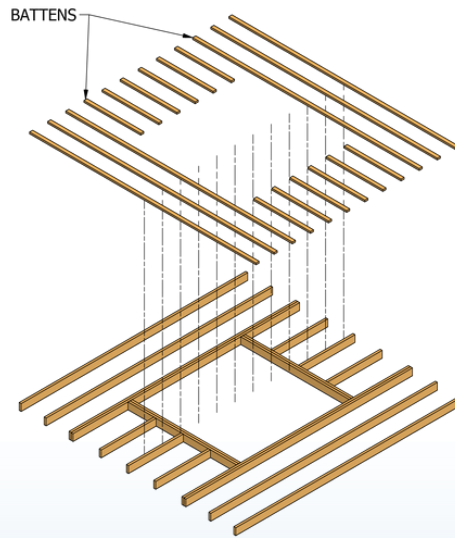
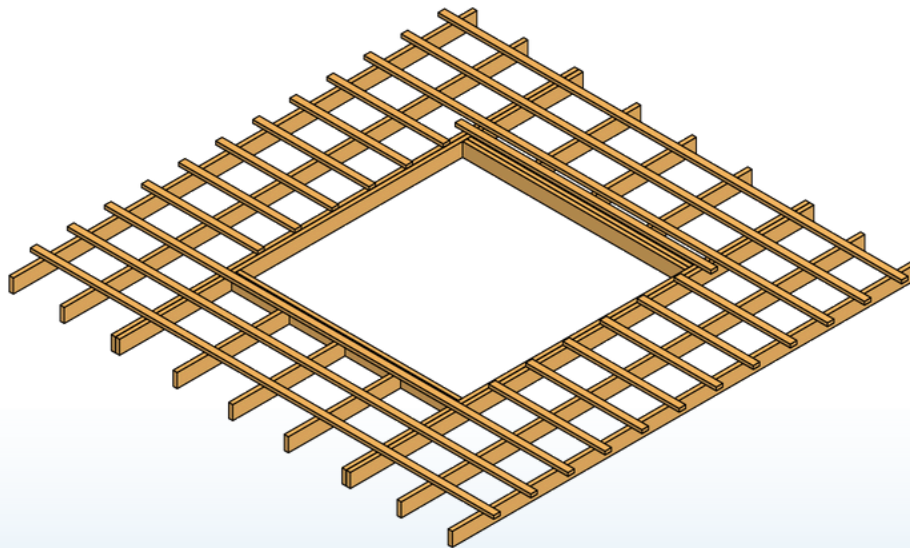


FIG. 1-3
SCALE 1 : 60

Locate and mark desired positions for the battens.

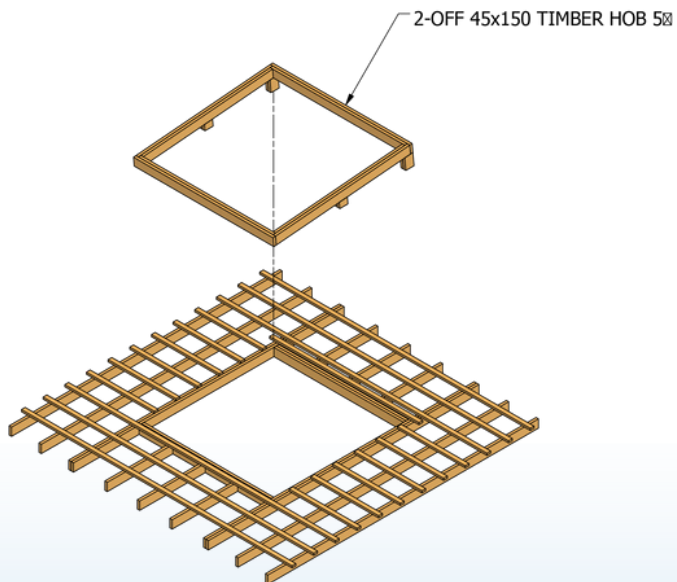
04



Fix battens to timber frame using screws. See figure above for the assembled view.

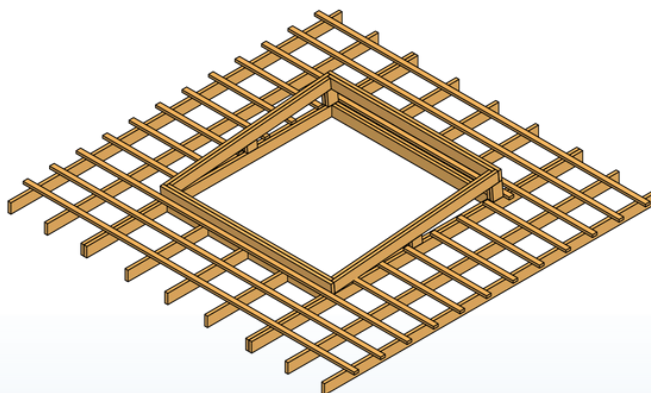
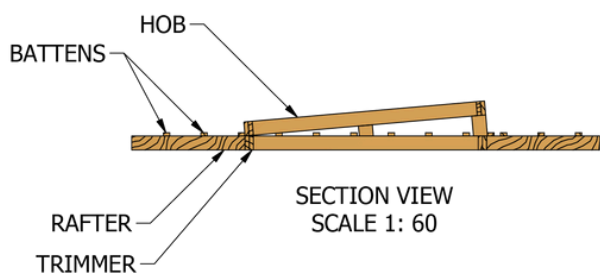


05



Locate and mark desired positions for timber hob.

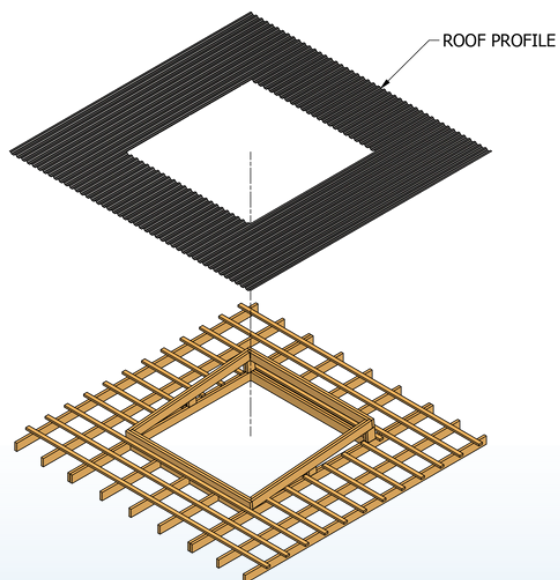
06



Fix timber hob to timber frame with screws. See figure above for the assembled and section views.

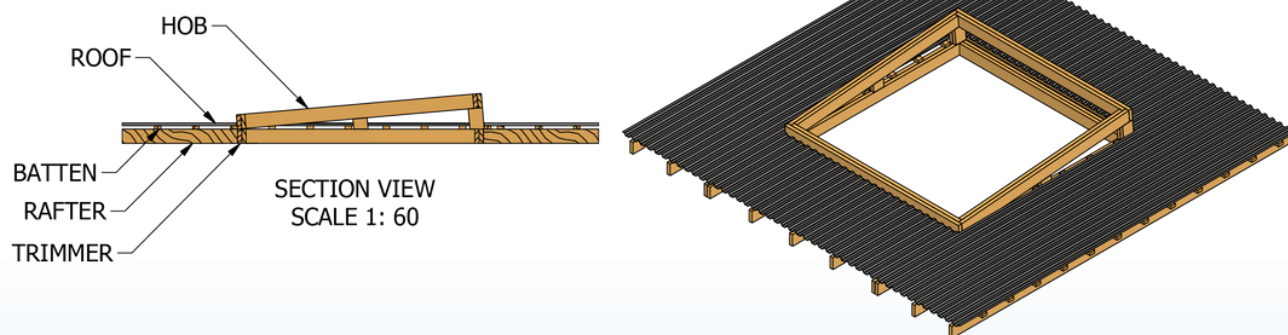


07



Pre-cut roof according to desired size and position.

08



Fix roof to the laterals with screws. Make sure to align the cuts.
See figure below for the assembled and section views.



09

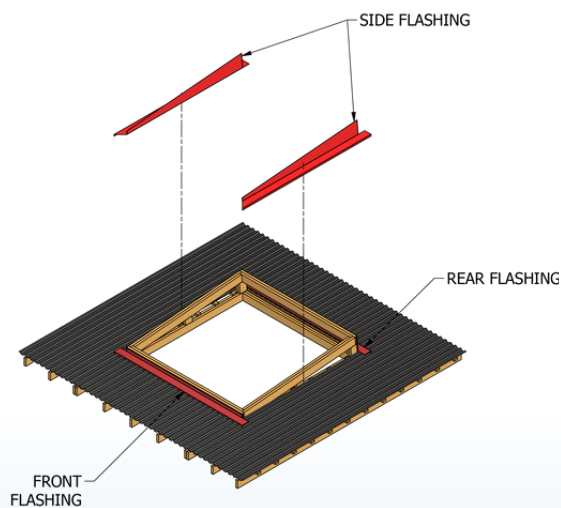


FIG. 2-3
SCALE 1 : 60

Pre-cut front and rear roof flashing to fit on roof profile.
Add first front and rear flashing then overlap side flashings.

10

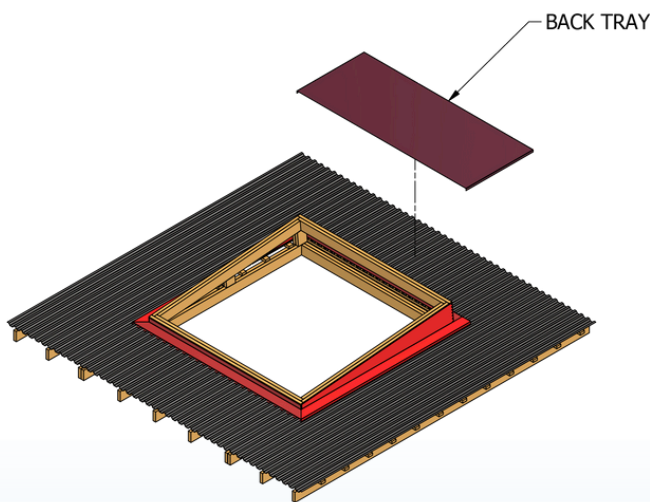
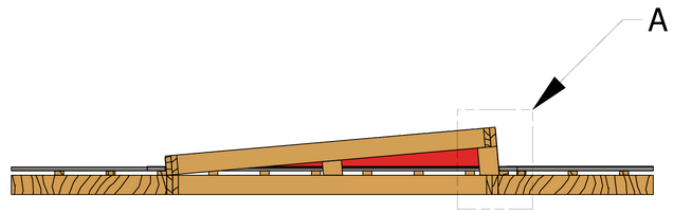
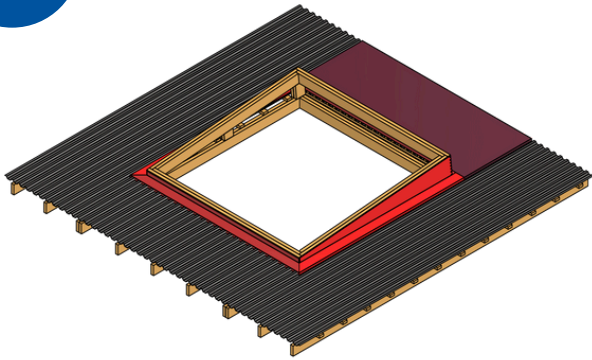


FIG. 2-4
SCALE 1 : 60

Secure front and rear flashings together with the side roof flashings with rivets.
Once secured, overlap back tray to the roof flashings. Use rivets to fix in position.



11

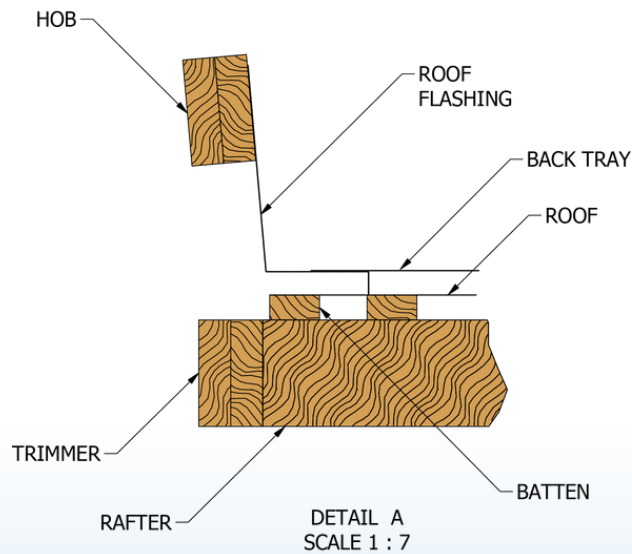


SECTION VIEW
SCALE 1 : 60

FIG. 2-5
SCALE 1 : 60

See figure below for the roof flashing and back tray assembly and section views.
Refer to next figure for the detailed section view.

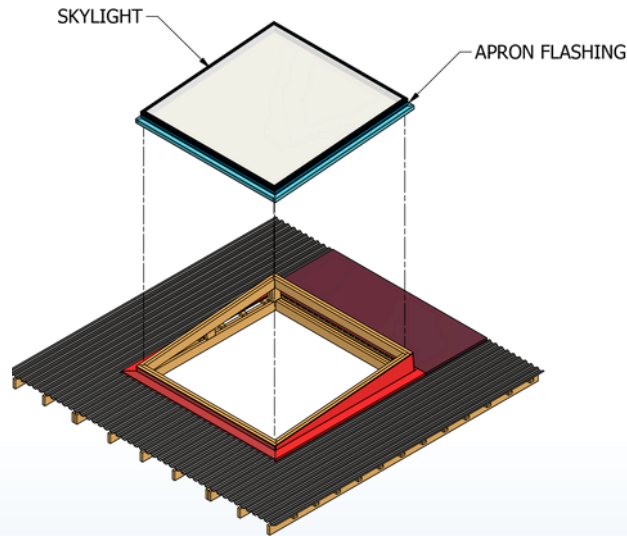
12



See figure shown for the detailed section view.

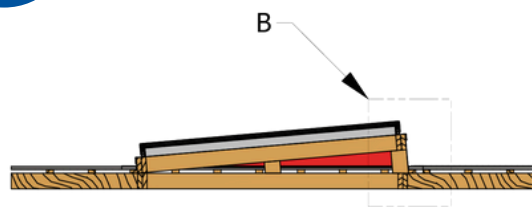


13

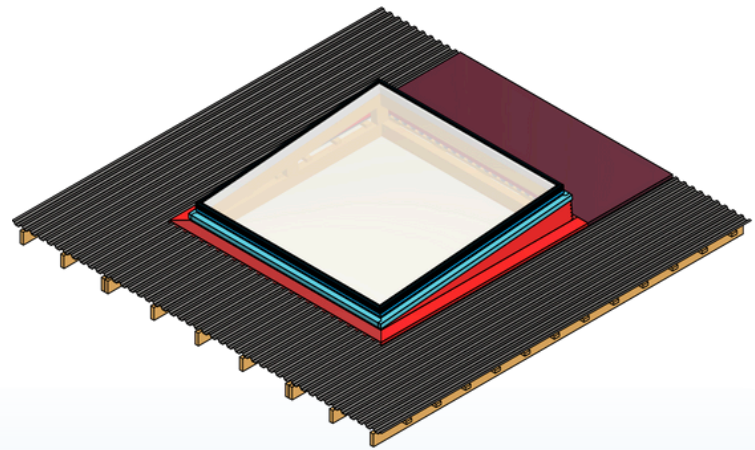


Overlap pre-assembled skylight with apron flashing to the timber hob and roof flashing.
See figure above for the pre-assembled view to be fixed.

14



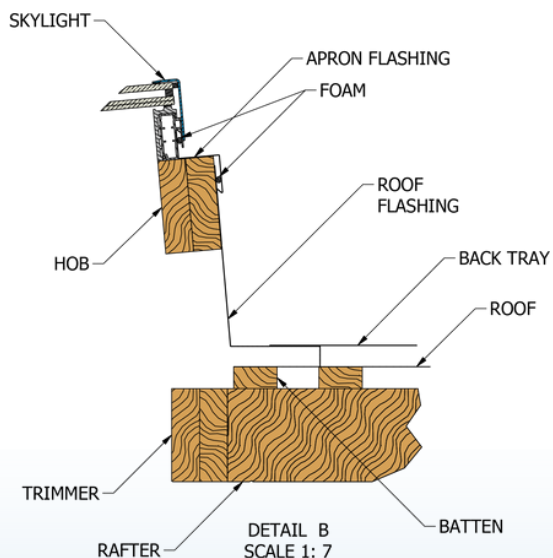
SECTION VIEW
SCALE 1: 60



Secure pre-assembled skylight with apron flashing to the timber hob using screws all around the apron flashing. Add foam all around and in between the apron and roof flashing. See figure below for the assembled and section views.

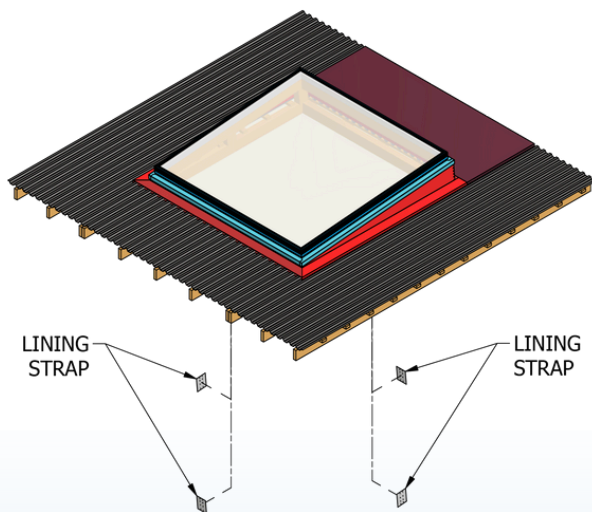


15



See figure shown for the detailed section view of the skylight seated on hob.

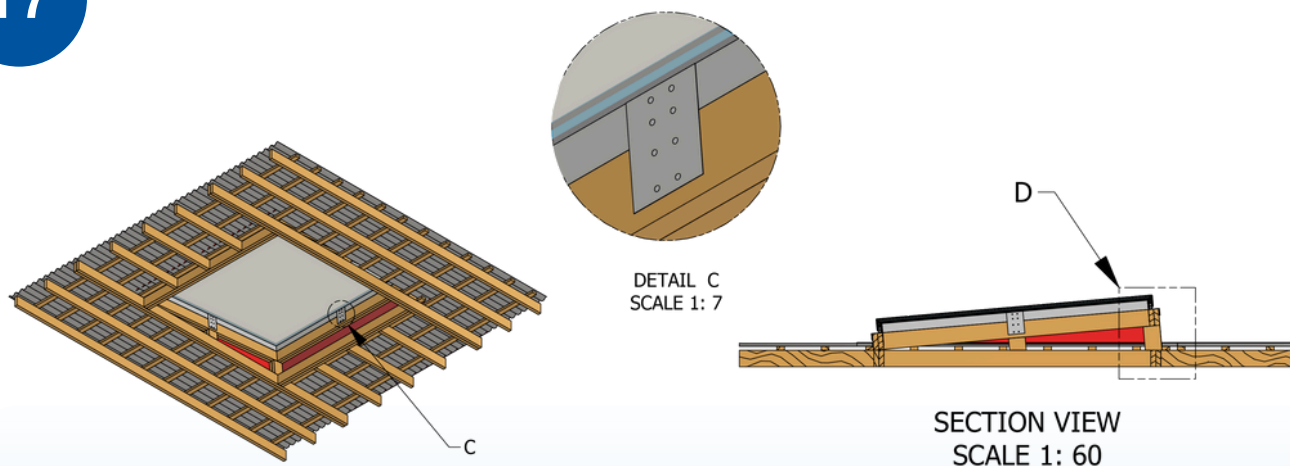
16



Secure skylight position by fixing lining straps to the timber hob. Note that quantity may vary depending on skylight size. For bigger skylight, 8 pieces of straps is needed. See figure below for quantity and location of straps to be added.

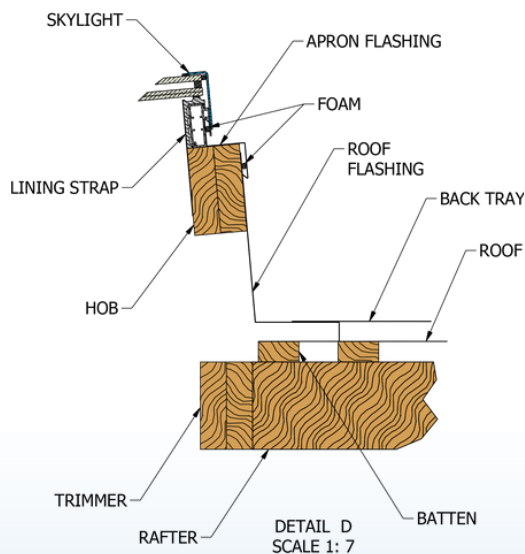


17



See figures below for the assembled, section, and detailed view for one corner of the assembly with straps.
Refer to next figure for the detailed section view.

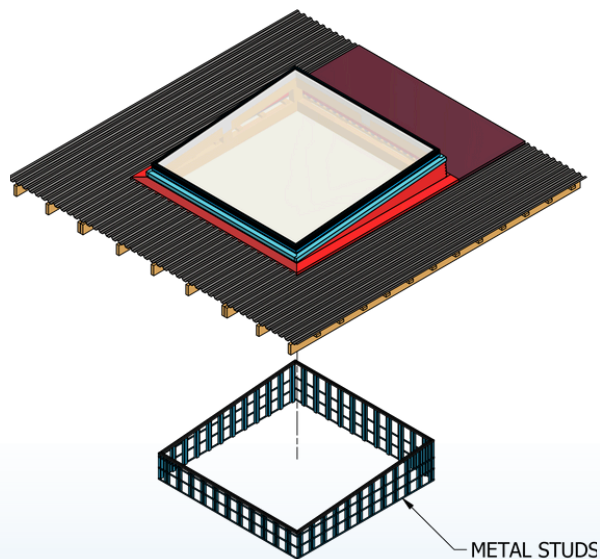
18



See figure shown for detailed section view of the skylight being fixed with straps on hob.

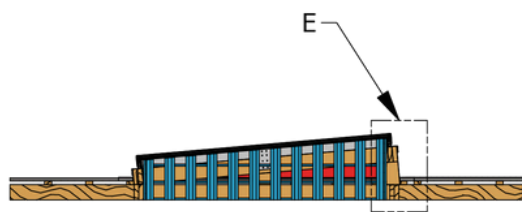


19

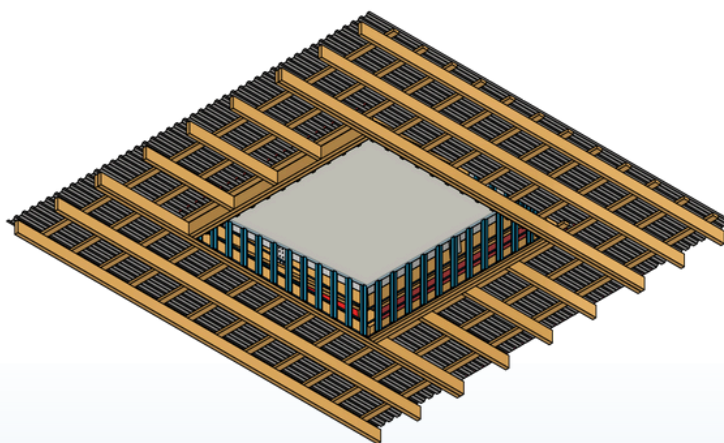


Add metal studs to timber hob around the skylight.

20



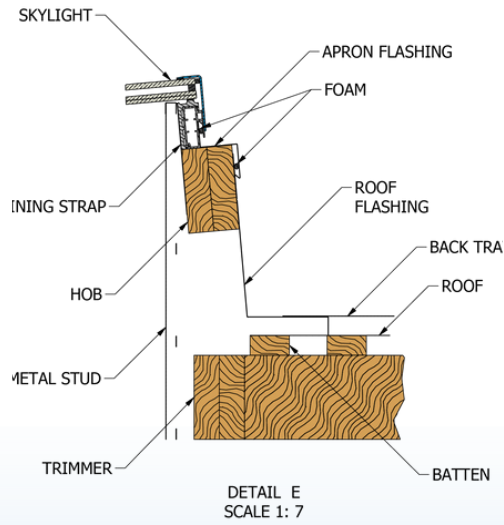
SECTION VIEW
SCALE 1 : 60



Fix metal studs. Add insulation strap around the studs. See figure above for the section and assembled bottom views.

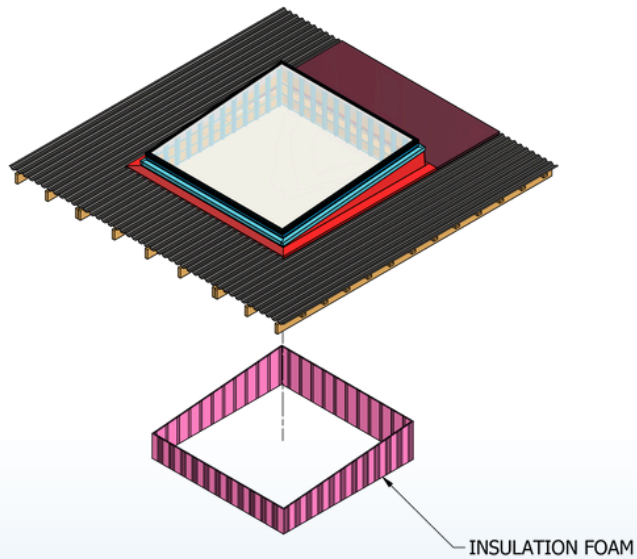


21



See figure shown for detailed section view of the metal studs around the hob.

22



Add insulation foam in between metal studs. Secure them with the insulation strap around the metal studs.



23

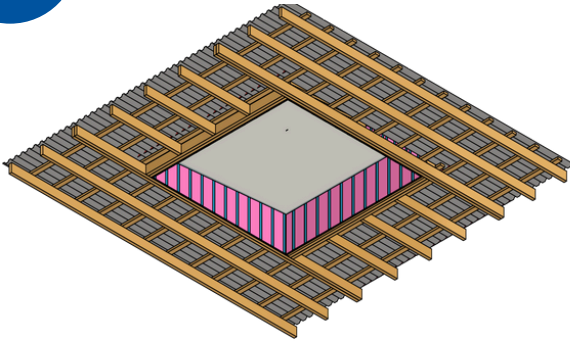
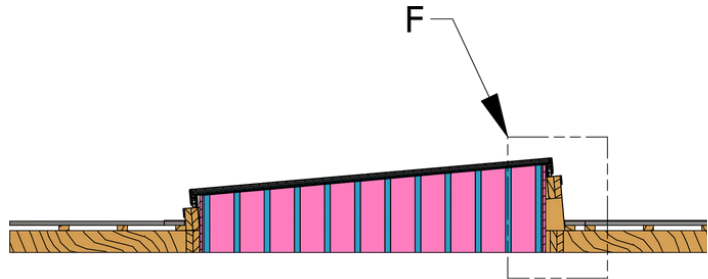


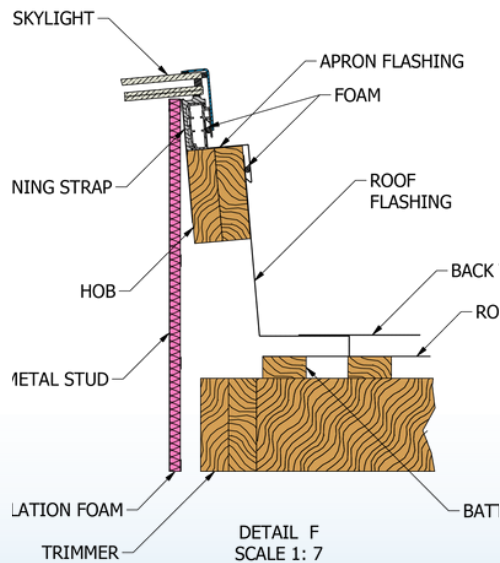
FIG. 4-4
SCALE 1: 60



SECTION VIEW
SCALE 1: 60

See figure above for the section and assembled bottom views.

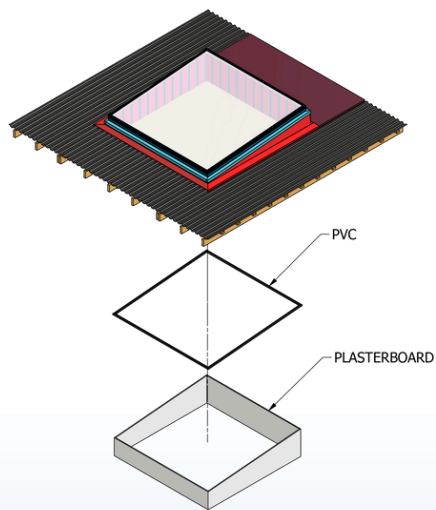
24



See figure shown for detailed section view of the insulation in between the metal studs.

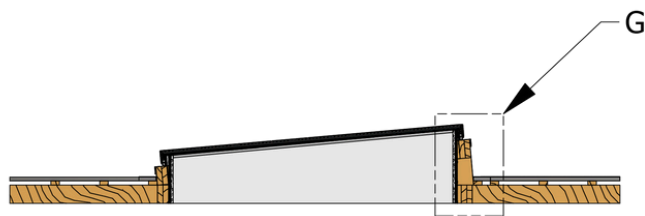
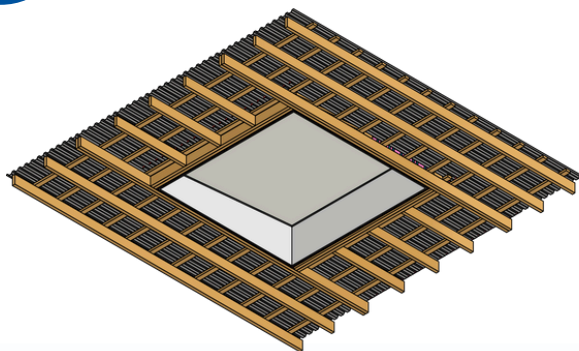


25



Fix plasterboard to the metal studs and add PVC Cap on top all the way around the plasterboard.

26



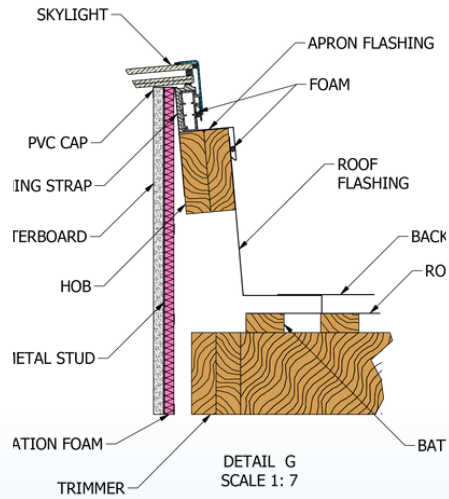
SECTION VIEW
SCALE 1 : 60

FIG. 5-2
SCALE 1 : 60

See figure below for the section and assembled bottom views.

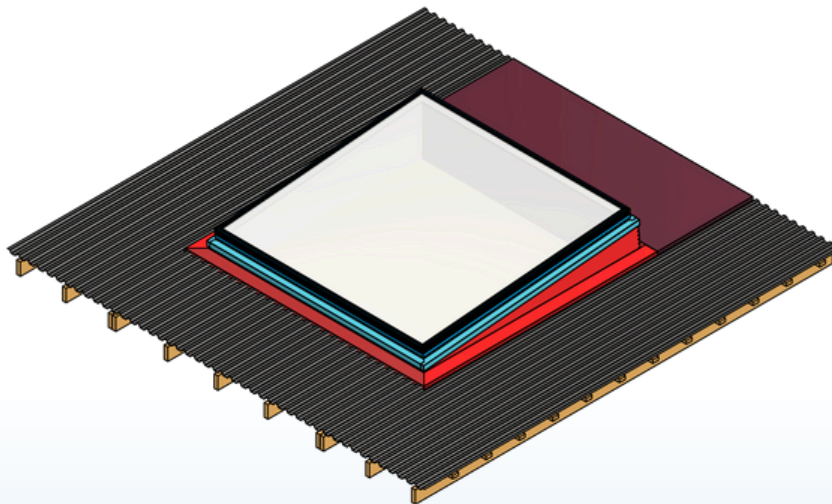


27

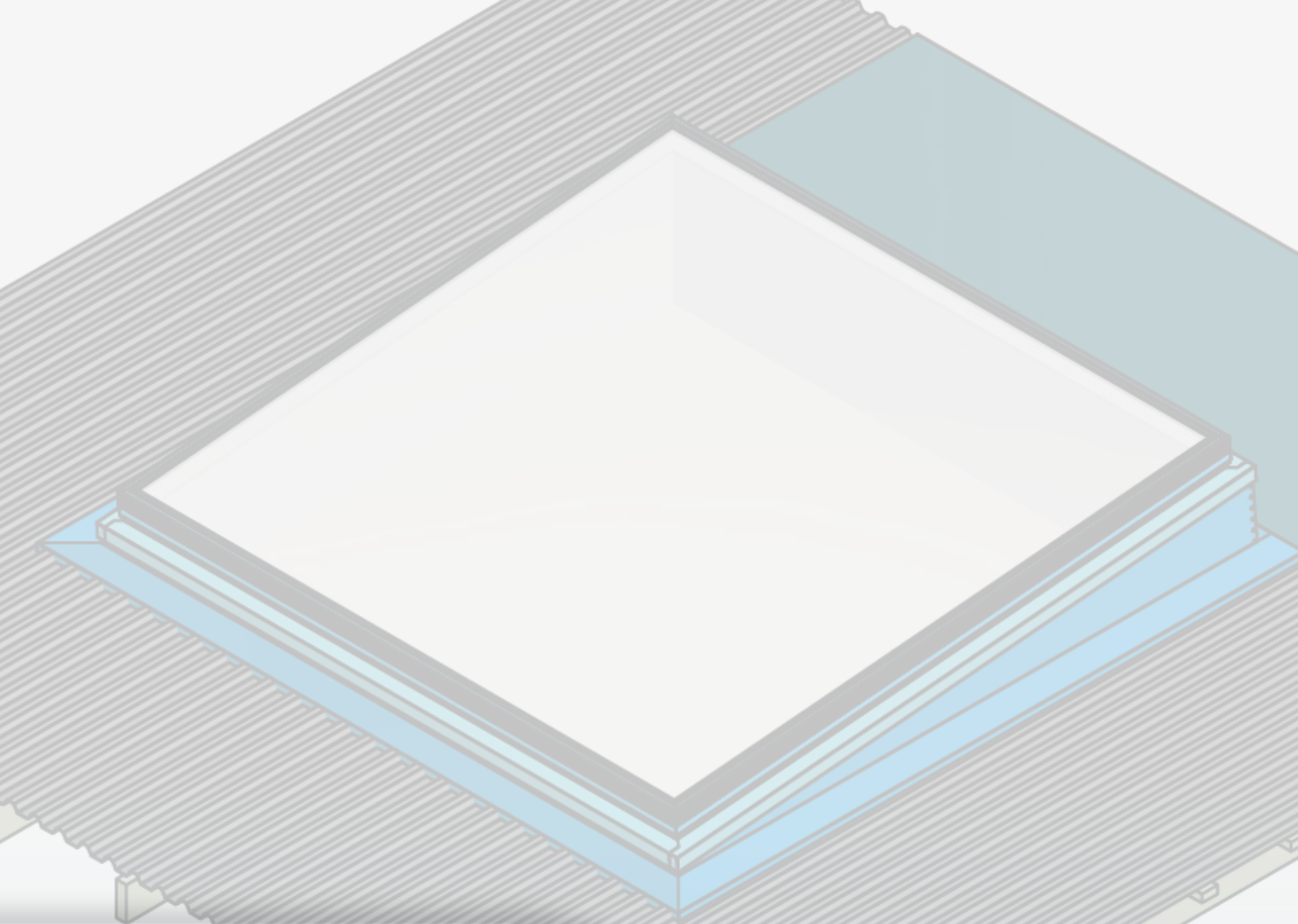


See figure shown for detailed section view for the assembly with plasterboard and cap.

28



See figure below for the isometric view of the final assembly.



SKYSPAN
AUSTRALIA PTY LTD

Installation Instructions

GXL 5° Timber Hob

1300 SKYSPAN (759 772)
customer.service@skyspan.com.au
skyspan.com.au