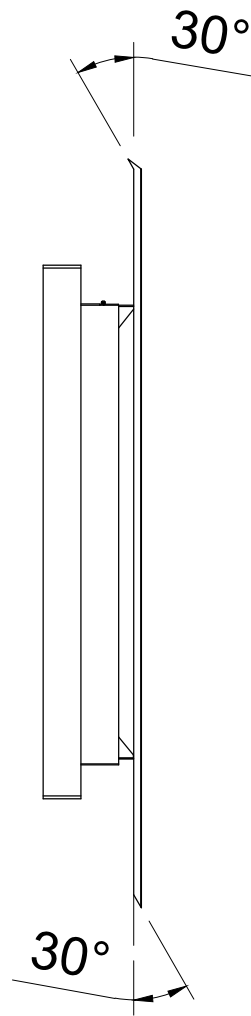
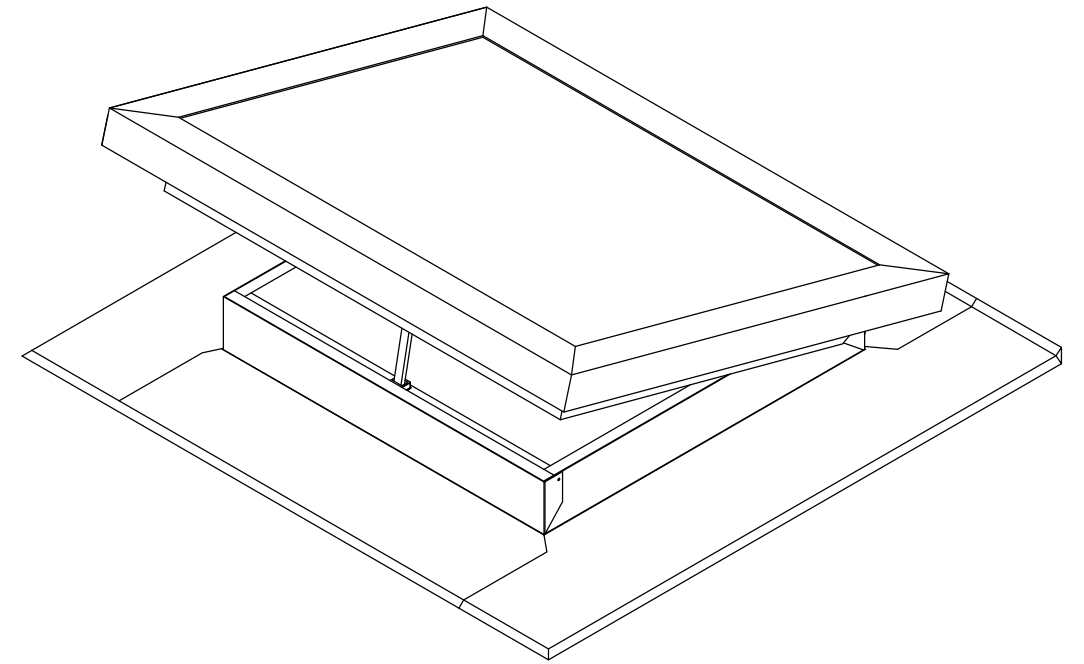


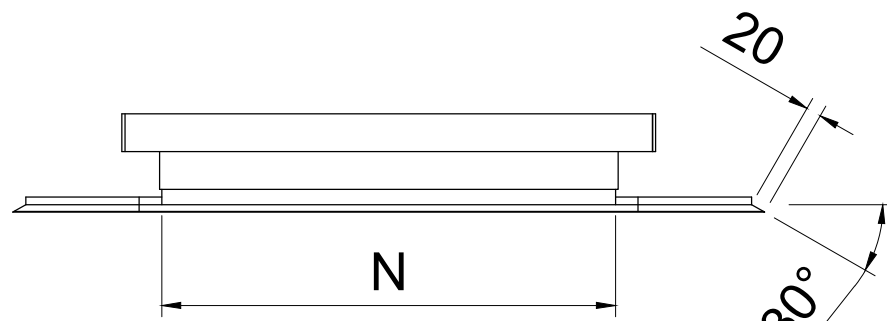
TOP VIEW



SIDE VIEW



ISOMETRIC VIEW



FRONT VIEW

LEGEND:
 A= WIDTH
 B= LENGTH
 N= NOMINAL SIZE

SKYWINDOWS OPENING DOUBLE GLAZED-CORRUGATED (SQUARE)			
PRODUCT CODE	A (mm)	B (mm)	N (mm)
GSW400CT-DG	760	760	400 x 400
GSW500CT-DG	860	860	500 x 500
GSW600CT-DG	960	960	600 x 600
GSW800CT-DG	1160	1160	800 x 800
GSW900CT-DG	1260	1260	900 x 900
GSW1000CT-DG	1360	1360	1000 x 1000
GSW1100CT-DG	1460	1460	1100 x 1100
GSW1200CT-DG	1560	1560	1200 x 1200

SKYWINDOWS OPENING DOUBLE GLAZED - CORRUGATED (RECTANGULAR)			
PRODUCT CODE	A (mm)	B (mm)	N (mm)
GSW4060CT-DG	760	960	400 x 600
GSW4080CT-DG	760	1160	400 x 800
GSW40110CT-DG	760	1460	400 x 1100
GSW5070CT-DG	860	1060	500 x 700
GSW50110CT-DG	860	1460	500 x 1100
GSW50140CT-DG	860	1760	500 x 1400
GSW6090CT-DG	960	1260	600 x 900
GSW60120CT-DG	960	1560	600 x 1200
GSW80110CT-DG	1160	1460	800 x 1100
GSW80140CT-DG	1160	1760	800 x 1400

DO NOT SCALE DRAWINGS, USE FIGURED DIMENSIONS



Rev.	Issue / Amendment	By	App. Date
P1	ONLINE OVERVIEW	KC	15/03/19

Client

Project
ONLINE PRODUCT OVERVIEW

Title
SKYWINDOWS OPENING DOUBLE GLAZED - CORRUGATED

Designed	RLF
Scale at A3	Date 15/03/19
Drawn	KC
Job No.	Drawing No. GSW_CT-DG
Amdt.	P1

COPYRIGHT: THE DESIGN AND DETAILS SHOWN ON THIS DRAWING ARE SPECIFIC TO THIS PROJECT ONLY AND MAY NOT BE REPRODUCED IN WHOLE OR IN PART OR BE USED FOR ANY OTHER PROJECT OR PURPOSE WITHOUT THE WRITTEN CONSENT OF SKYSPAN AUSTRALIA PTY LTD.