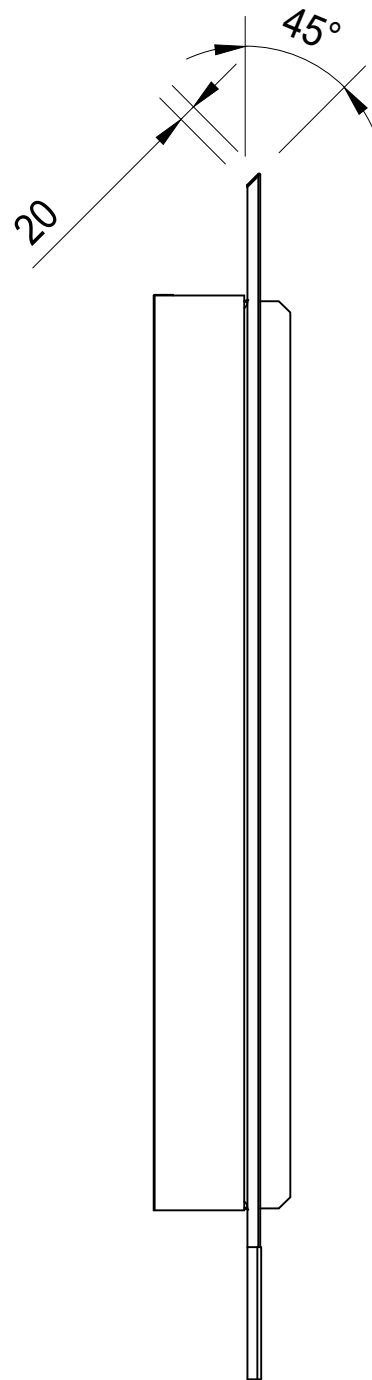
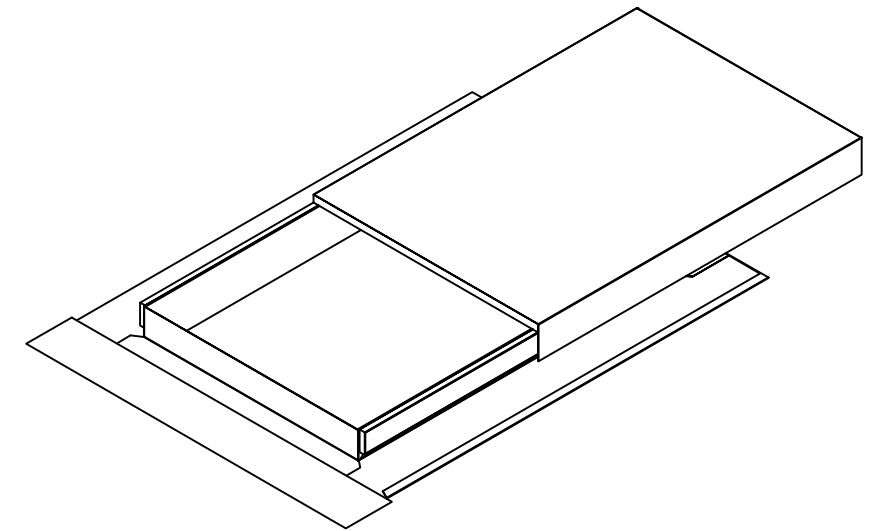


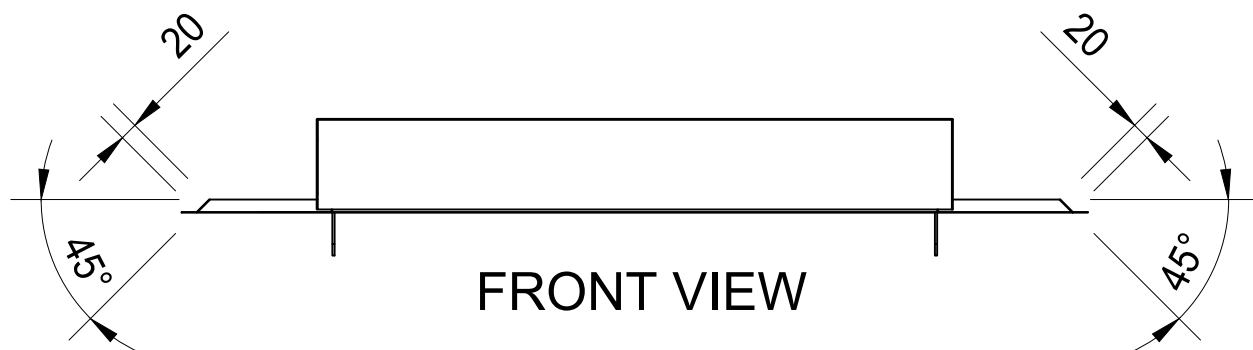
TOP VIEW



SIDE VIEW



ISOMETRIC VIEW



FRONT VIEW

EZISLIDER ROOF ACCESS HATCH - TILE			
PRODUCT CODE	A (mm)	B (mm)	PRODUCT SIZE (mm)
MSH801200TU	1160	1600	800x1200
MSH900TU	1260	1300	900x900
MSH1001500TU	1360	1900	1000x1500

DO NOT SCALE DRAWINGS, USE FIGURED DIMENSIONS



COPYRIGHT: THE DESIGN AND DETAILS SHOWN ON THIS DRAWING ARE SPECIFIC TO THIS PROJECT ONLY AND MAY NOT BE REPRODUCED IN WHOLE OR IN PART OR BE USED FOR ANY OTHER PROJECT OR PURPOSE WITHOUT THE WRITTEN CONSENT OF SKYSPAN AUSTRALIA PTY LTD.

Rev.	Issue / Amendment	By	App. Date
P1	ONLINE OVERVIEW	KC	22/03/19

Client

Project
ONLINE PRODUCT OVERVIEW

Title
EZISLIDER ROOF ACCESS HATCH - TILE

		Designed RLF
Scale at A3	Date 22/03/19	Drawn KC
Job No.	Drawing No. MSH-TU	Amdt. P1