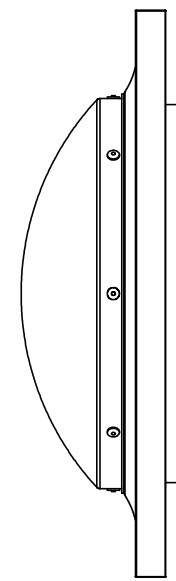
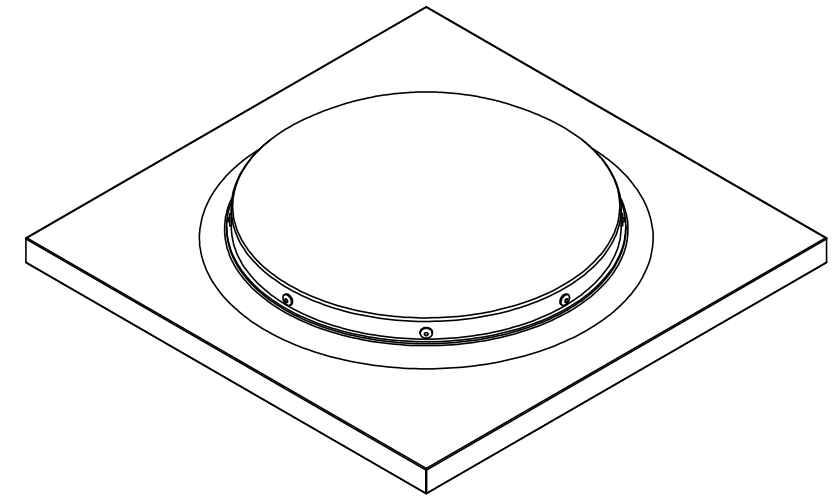


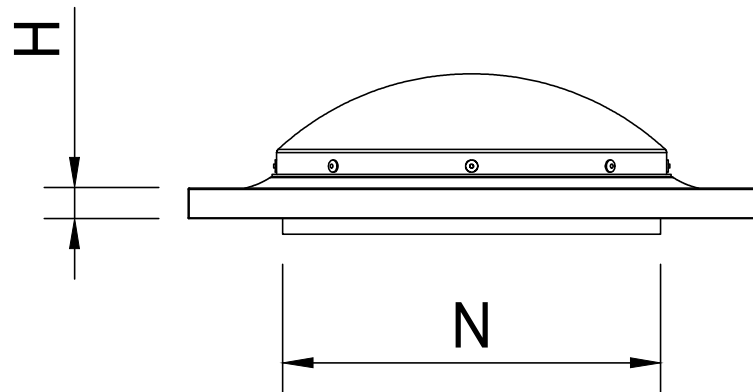
TOP VIEW



SIDE VIEW



ISOMETRIC VIEW



FRONT VIEW

LEGEND:

- A= WIDTH
- B= LENGTH
- H= HEIGHT
- N= NOMINAL SIZE

SUNPIPE TUBELIGHT METALDECK					
SKYSPAN PRODUCT CODE	A (mm)	B (mm)	H (mm)	NØ (mm)	VENTING SYSTEM
TL300AUFSK	550	550	40	300	NO
TL400AUFSK	650	650	40	400	NO
TL500AUFSK	750	750	40	500	NO

DO NOT SCALE DRAWINGS, USE FIGURED DIMENSIONS



12 Turbo Road,
Kings Park,
NSW 2148
© 2019 SkySpan
All Rights Reserved.

COPYRIGHT: THE DESIGN AND DETAILS SHOWN ON THIS DRAWING ARE SPECIFIC TO THIS PROJECT ONLY AND MAY NOT BE REPRODUCED IN WHOLE OR IN PART OR BE USED FOR ANY OTHER PROJECT OR PURPOSE WITHOUT THE WRITTEN CONSENT OF SKYSPAN AUSTRALIA PTY LTD.

Rev.	Issue / Amendment	By	App. Date

Client

Project

ONLINE PRODUCT OVERVIEW

Title

SUNPIPE TUBELIGHT METALDECK

Designed

RLF

Scale at A3 Date

19/03/19 Drawn

Job No. Drawing No. Amdt.

P1