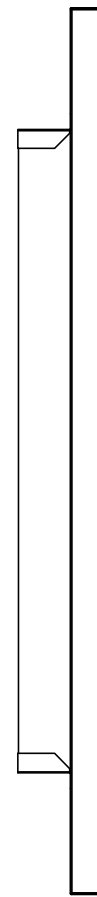
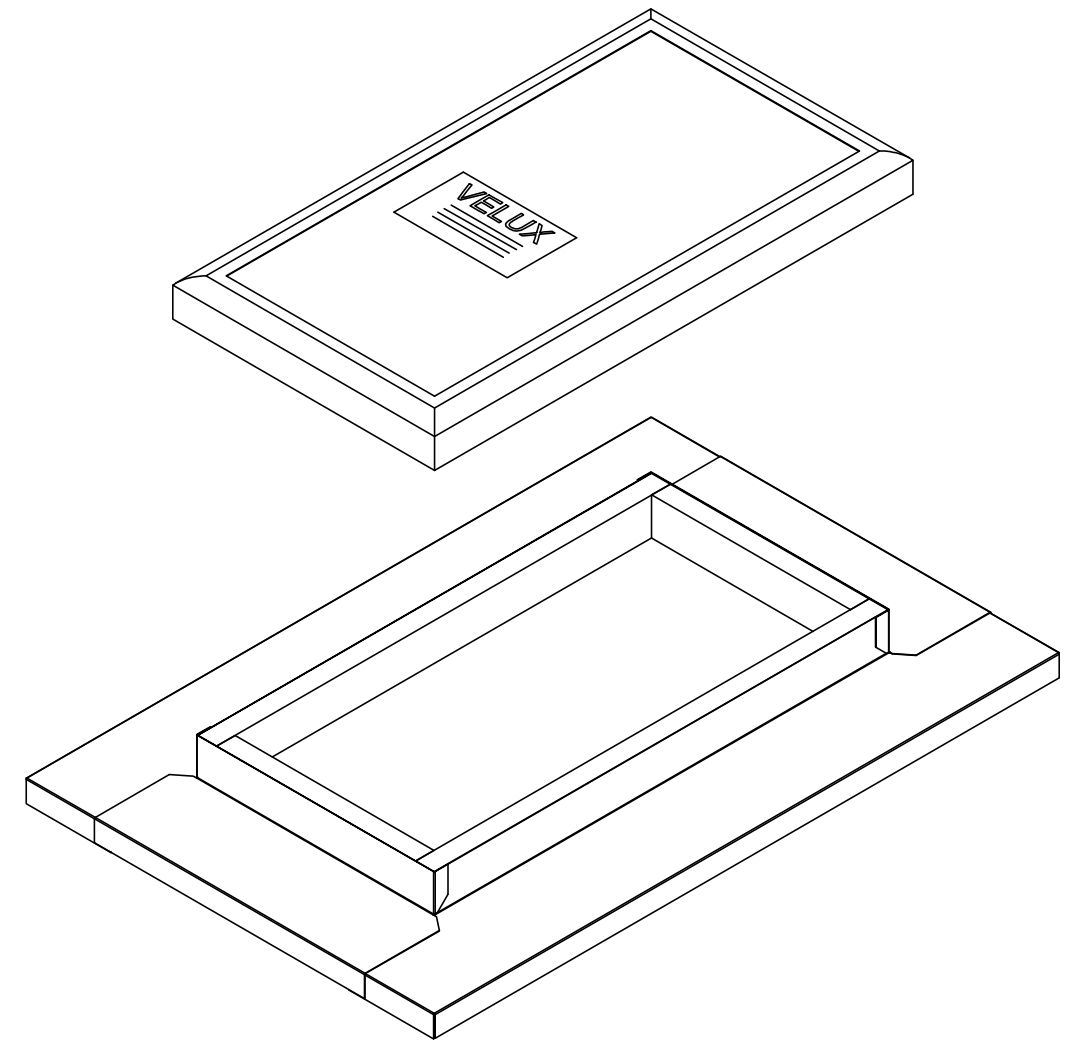


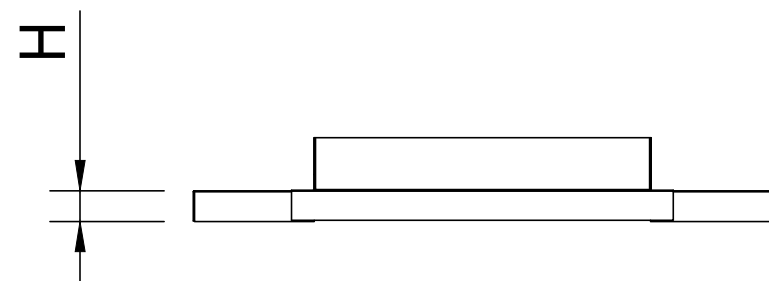
TOP VIEW



SIDE VIEW



ISOMETRIC VIEW



FRONT VIEW

LEGEND:
 A = WIDTH
 B = LENGTH
 H = HEIGHT

SKYSPAN CUSTOM FCM FLASHING - KLIPLOK					
*Dimensions A and B are correct for standard crush fold. For option of no Crush fold, add 20mm to dimensions A and B.					
SKYSPAN PRODUCT CODE	VELUX PRODUCT CODE	A (mm)	B (mm)	H (mm)	INNER GLASS DIMENSIONS (mm)
V1430TFAU	1430	760	1170	40	368x775
V2222TFAU	2222	965	965	40	572x572
V2230TFAU	2230	965	1170	40	572x775
V2234TFAU	2234	965	1270	40	572x877
V2246TFAU	2246	965	1575	40	572x1181
V2270TFAU	2270	965	2185	40	572x1792
V3030TFAU	3030	1170	1170	40	775x775
V3046TFAU	3046	1170	1575	40	775x1181
V3434TFAU	3434	1270	1270	40	876x876
V4646TFAU	4646	1575	1575	40	1181x1181

DO NOT SCALE DRAWINGS, USE FIGURED DIMENSIONS



COPYRIGHT. THE DESIGN AND DETAILS SHOWN ON THIS DRAWING ARE SPECIFIC TO THIS PROJECT ONLY AND MAY NOT BE REPRODUCED IN WHOLE OR IN PART OR BE USED FOR ANY OTHER PROJECT OR PURPOSE WITHOUT THE WRITTEN CONSENT OF SKYSPAN AUSTRALIA PTY LTD.

Rev.	Issue / Amendment	By	App. Date
P1	ONLINE OVERVIEW	KC	

Client

Project
ONLINE PRODUCT OVERVIEW

Title
SKYSPAN CUSTOM FCM FLASHING - METALDECK KLIPLOK

Scale at A3	Date	Designed
	06/04/20	RLF
Job No.	Drawing No.	Drawn
	V-TFAU	KC
		Amdt.
		P1