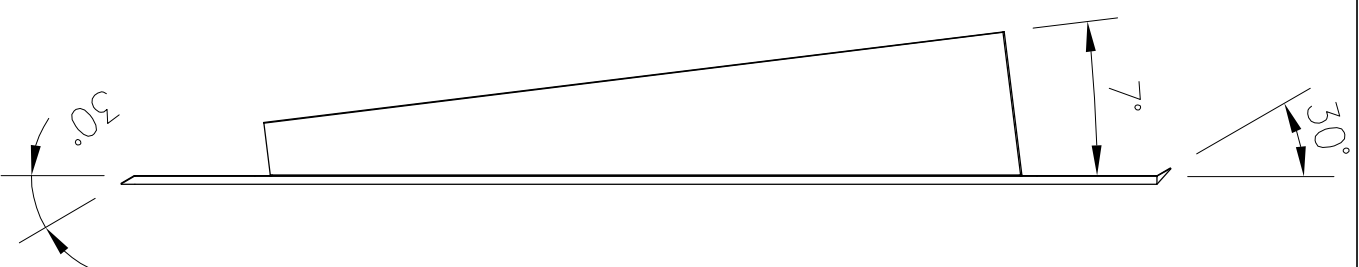
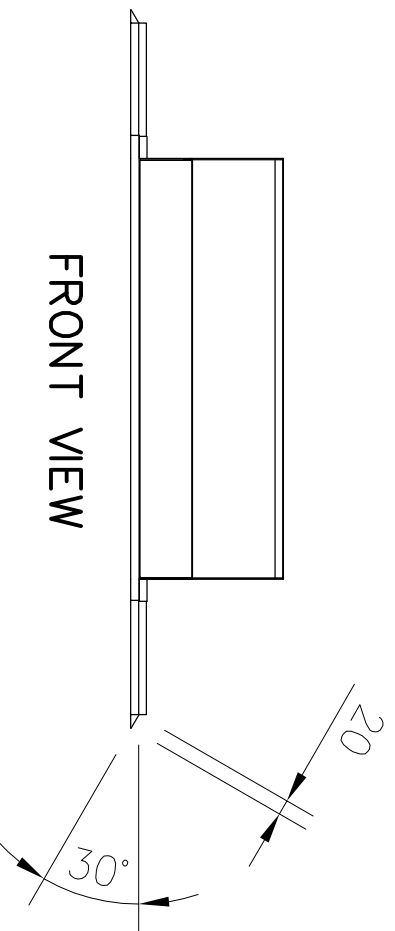


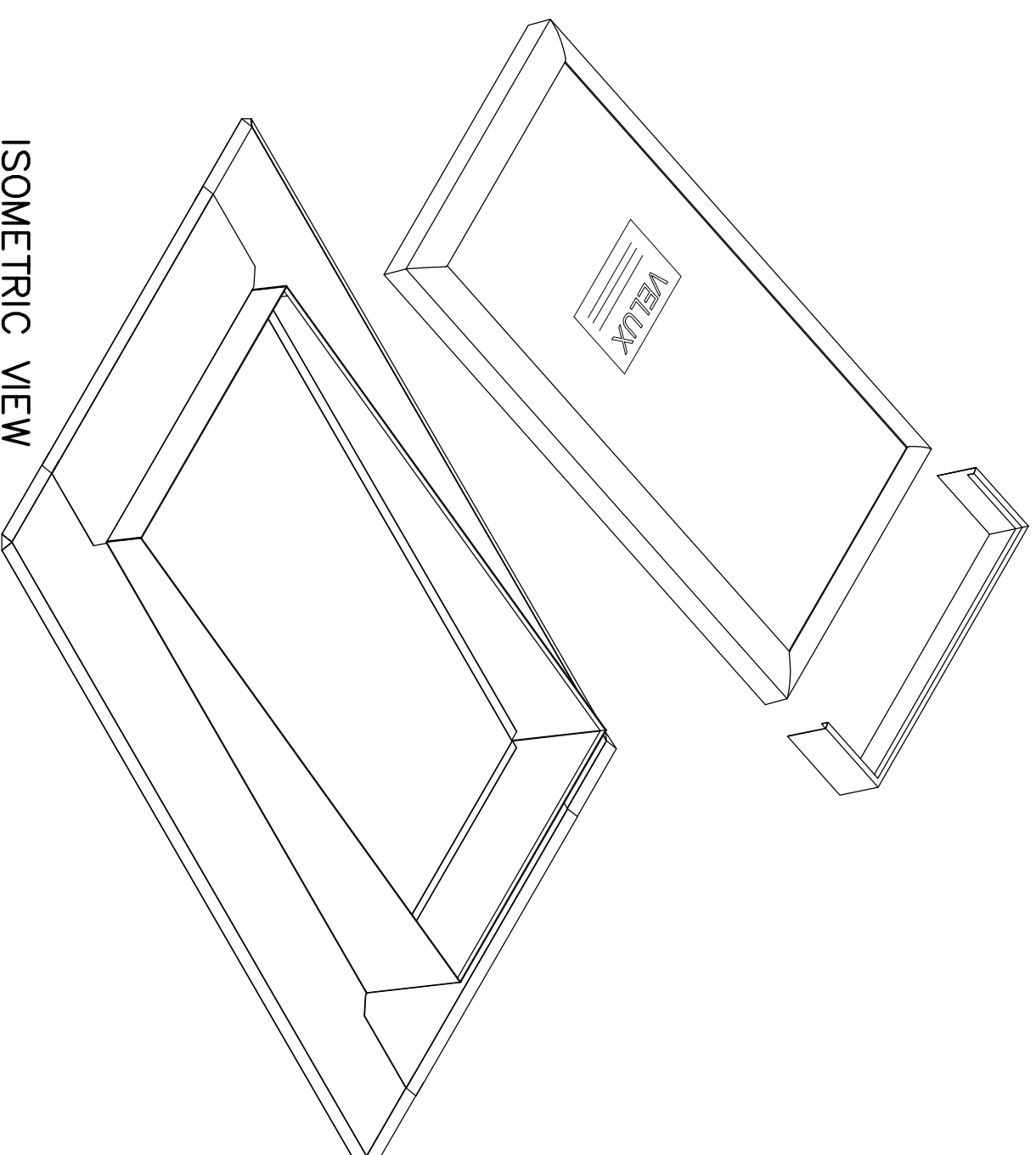
TOP VIEW



SIDE VIEW



FRONT VIEW



ISOMETRIC VIEW

SKYSPAN		VELUX		A (mm)	B (mm)	SKYLIGHT SIZE (mm)
PRODUCT CODE	PRODUCT CODE	PRODUCT CODE	PRODUCT CODE			
V15-5570PACT	C01			915	1070	550x700
V15-5578PACT	C02			915	1150	550x780
V15-5598PACT	C04			915	1350	550x980
V15-55118PACT	C06			915	1550	550x1180
V15-55140PACT	C08			915	1770	550x1400
V15-78118PACT	M04			1145	1350	780x980
V15-78118PACT	M06			1145	1550	780x1180
V15-78140PACT	M08			1145	1770	780x1400
V15-11470PACT	S01			1505	1070	1140x700
V15-114118PACT	S06			1505	1550	1140x1180

PITCH ADAPTOR 7° CORRUGATED roof type

DO NOT SCALE DRAWINGS, USE FIGURED DIMENSIONS

Rev. Issue / Amendment  
P1 ONLINE OVERVIEW

By App. Date  
GF 12/07/16

Client

SKYSPAN

Project  
ONLINE PRODUCT OVERVIEW

Title  
PITCH ADAPTOR 7°  
CORRUGATED ROOF PROFILE

Scale at A3  
Date  
12/07/16  
Drawn  
GF

Job No.  
004  
Drawing No.  
V7-PACT)  
Amdt.  
P1

Designed  
GF

Drawn  
GF

Amdt.  
P1

12 York Road,  
Newport  
© 2016 Skyspan  
All Rights Reserved.

**SKYSPAN**  
AUSTRALIA PTY LTD

COPYRIGHT: THE DESIGN AND DETAILS SHOWN ON THIS DRAWING ARE SPECIFIC TO THIS PRODUCT ONLY, AND MAY NOT BE REPRODUCED IN WHOLE OR IN PART OR BE USED FOR ANY OTHER PROJECT OR PURPOSE WITHOUT THE WRITTEN CONSENT OF EVENT ENGINEERING PTY LTD.