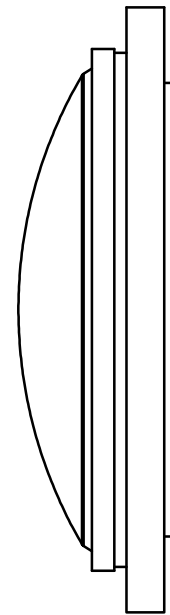
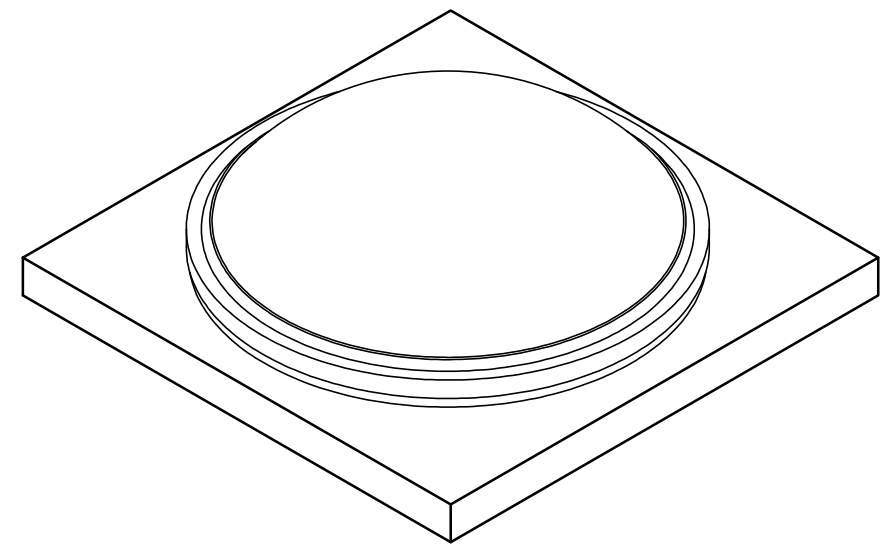


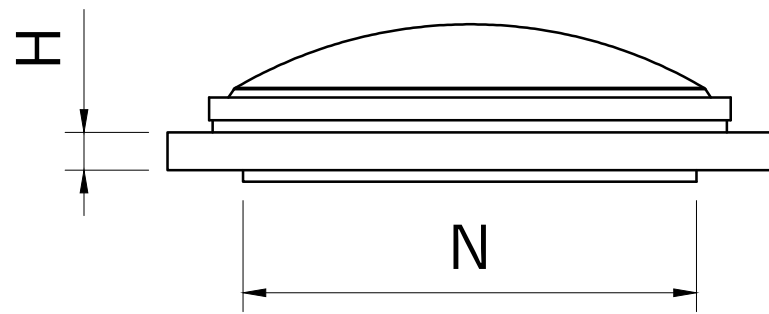
TOP VIEW



SIDE VIEW



ISOMETRIC VIEW



FRONT VIEW

**LEGEND:**  
 A= FRAME OVERALL  
 H= HEIGHT  
 N= NOMINAL SIZE

CIRCULAR SKYLIGHT - ACRYLIC DOMED			
SKYSPAN PRODUCT CODE	AØ (mm)	H (mm)	NØ (mm)
CSL600	800	50	600
CSL800	1000	50	800
CSL900	1100	50	900
CSL1000	1200	50	1000
CSL1100	1300	50	1100
CSL1200	1400	50	1200
CSL1500	1700	50	1500
CSL1800	2000	50	1800
CSL2000	2200	50	2000
CSL2200	2400	50	2200
CSL2400	2600	50	2400

DO NOT SCALE DRAWINGS, USE FIGURED DIMENSIONS



12 Turbo Road,  
Kings Park,  
NSW 2148  
© 2019 SkySpan  
All Rights Reserved.

COPYRIGHT: THE DESIGN AND DETAILS SHOWN ON THIS DRAWING ARE SPECIFIC TO THIS PROJECT ONLY AND MAY NOT BE REPRODUCED IN WHOLE OR IN PART OR BE USED FOR ANY OTHER PROJECT OR PURPOSE WITHOUT THE WRITTEN CONSENT OF SKYSPAN AUSTRALIA PTY LTD.

Rev.	Issue / Amendment	By	App.	Date
P1	ONLINE OVERVIEW	KC		29/01/19

Date

Client  
SKYSPAN

Project  
ONLINE PRODUCT OVERVIEW  
 Title  
CIRCULAR SKYLIGHTS ACRYLIC DOMED

Scale at A3 /	Date 29/01/19	Designed RLF
Job No. 0001	Drawing No. CSL-AU-STD	Drawn KC
		Amdt. P1