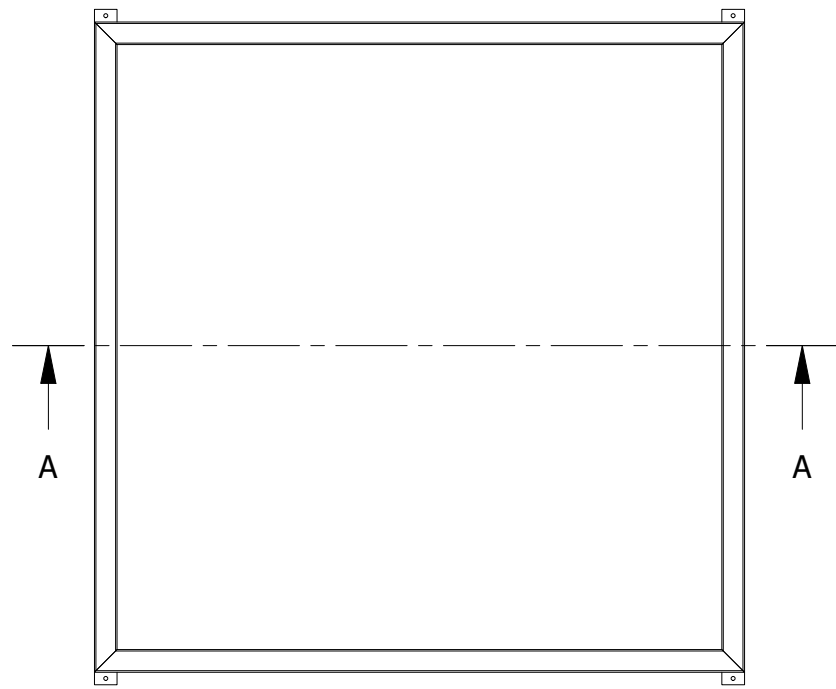
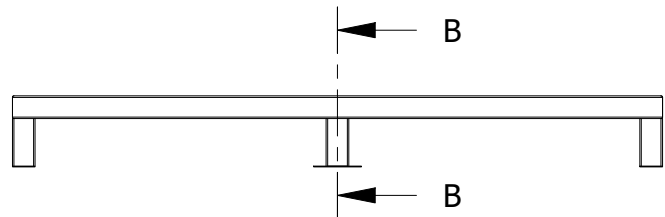


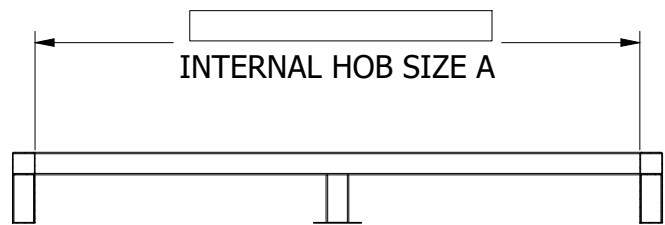
FILL IN ALL BOXES PROVIDED.



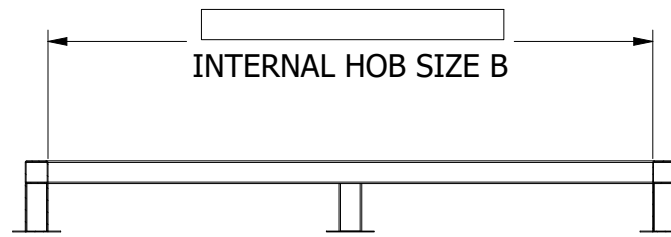
TOP VIEW
SCALE 1 : 30



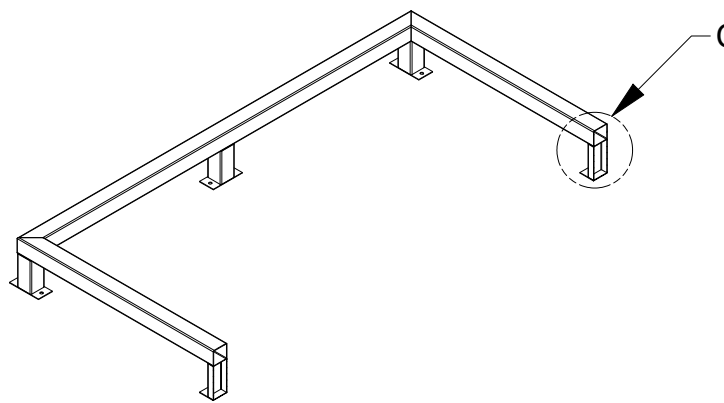
FRONT VIEW
SCALE 1 : 30



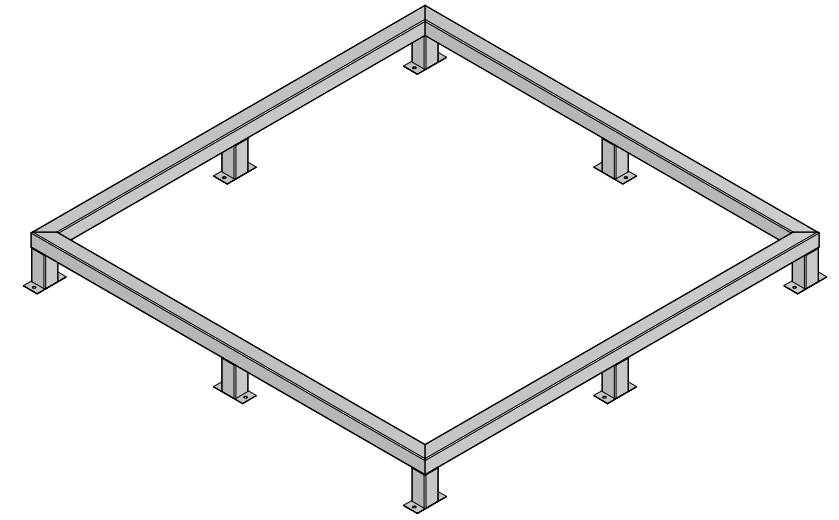
SECTION A-A
SCALE 1 : 30



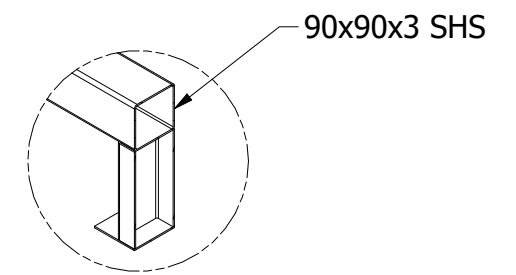
SECTION B-B
SCALE 1 : 30



SECTION A-A (ISOMETRIC)
SCALE 1 : 35



ISOMETRIC VIEW
SCALE 1 : 35



DETAIL C
SCALE 1 : 12

Client Drawing Approval

Name:

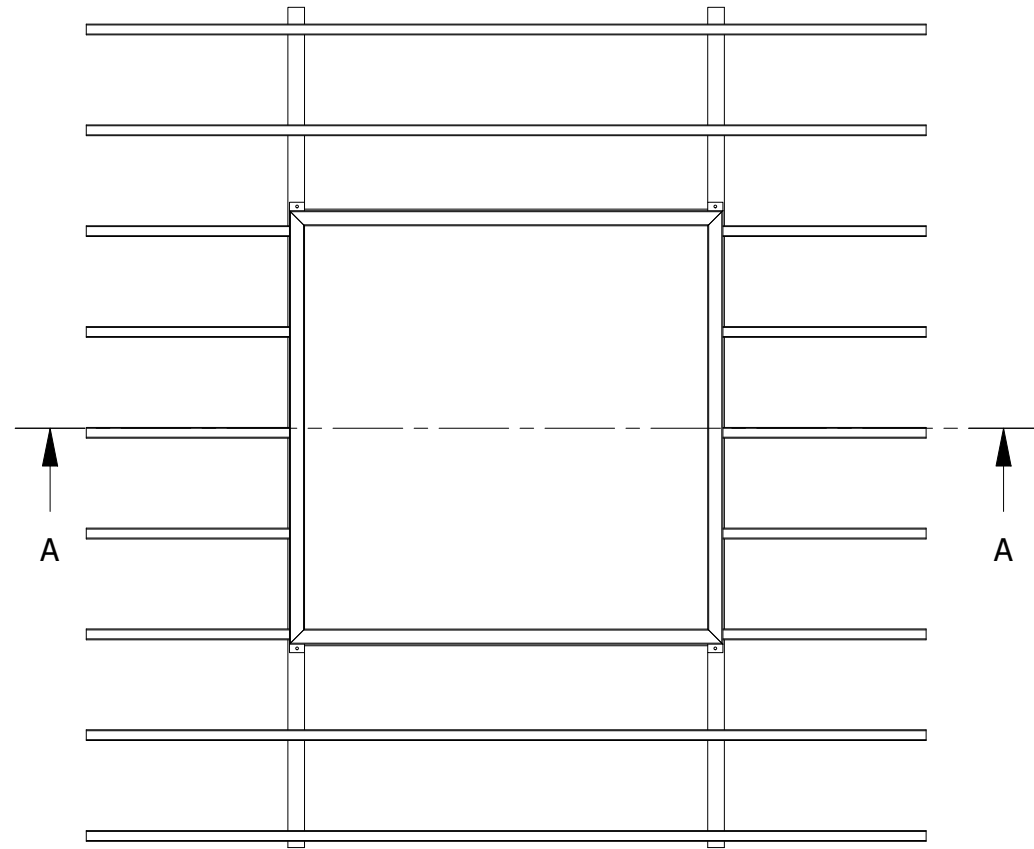
Signature:

Date:

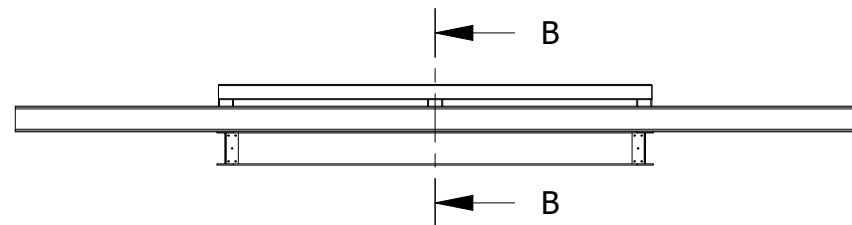
CLIENT:	DESIGNER: J.BATOON	DATE CREATED: 08/07/2023	MATERIAL:	Skyspan Australia Pty Ltd 1 Gibbon Rd, Baulkham Hills NSW 2153, Australia Website: https://www.skyspan.com.au	
BUSINESS NAME:	DRAWN BY: C.QUINOL	DATE DRAWN: 15/02/2024	THICKNESS (FOR SHEET):		
PROJECT NAME:	MODIFIED BY: M.AMIT	DATE MODIFIED: 08/03/2024	FINISH/COLOR:	PART NUMBER: SB-2000-00	REVISION: A
QUOTE NUMBER:	CHECKED BY:	CHECKED DATE:	ESTIMATED MASS: N/A	VOLUME: N/A	
WORK ORDER NUMBER:	APPROVED BY:	APPROVED DATE:	SCALE: DO NOT SCALE	FILENAME: SB-2000-00.iam	SHEET 1 OF 8
REFERENCE ORDER NUMBER:	TOLERANCES UNLESS OTHERWISE SPECIFIED IN MM			SIZE A3	
JOB NUMBER:	FLASHING #:	COPYRIGHT: THE DESIGN DETAILS SHOWN ON THIS DRAWING ARE SPECIFIC TO THIS PROJECT ONLY AND MAY NOT BE REPRODUCED IN WHOLE OR IN PART OR BE USED FOR ANY OTHER PROJECT OR PURPOSE WITHOUT THE WRITTEN CONSENT OF SKYSPAN AUSTRALIA PTY LTD. ©COPYRIGHT 2024 SKYSPAN			
	FLASHING QTY:				

This Skylight system is covered by Australian Patent Pending Number 2021901063 and New Zealand Patent Pending Number 774968.

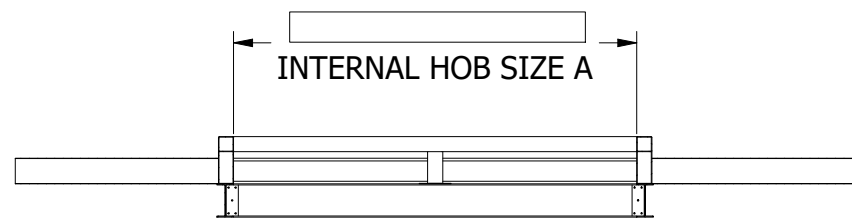
FILL IN ALL BOXES PROVIDED.



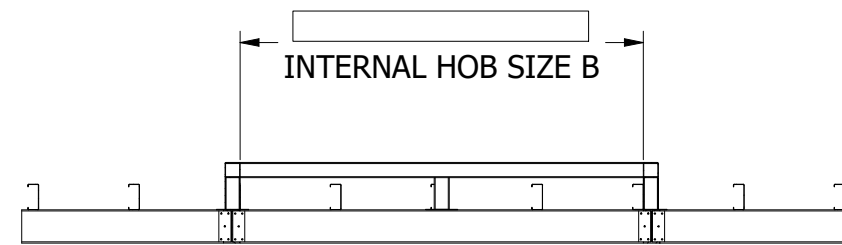
TOP VIEW
SCALE 1 : 45



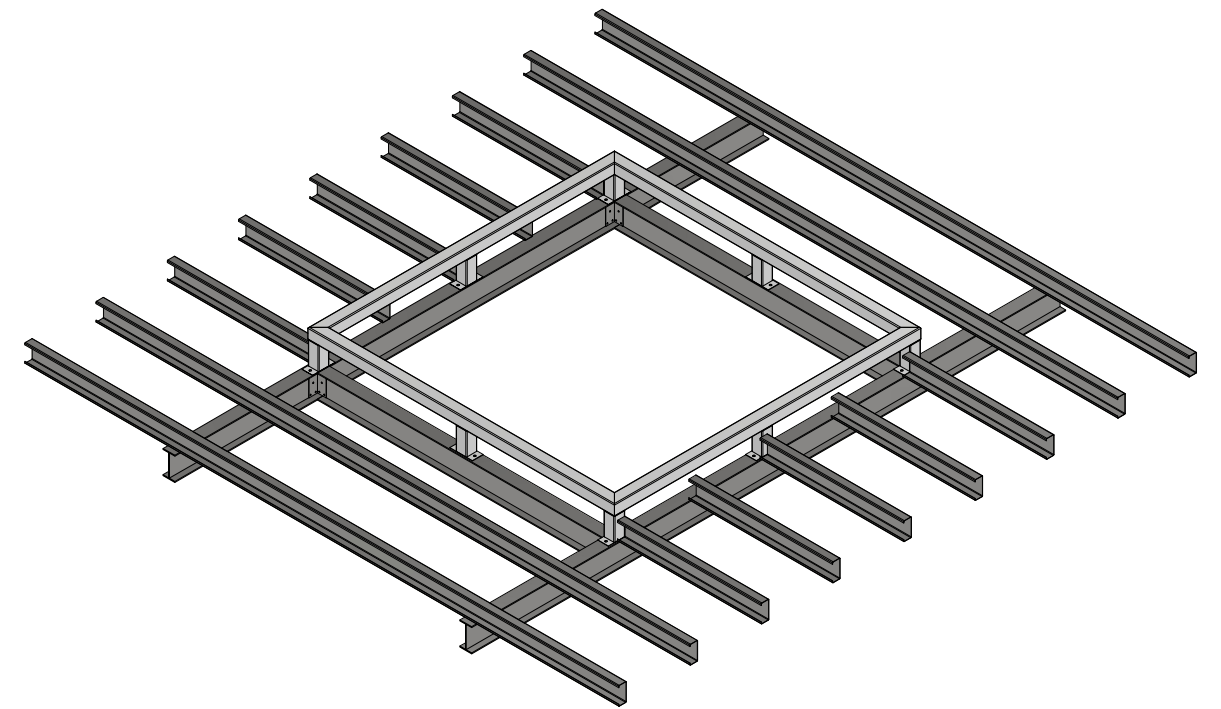
FRONT VIEW
SCALE 1 : 45



SECTION A-A
SCALE 1 : 45



SECTION B-B
SCALE 1 : 45



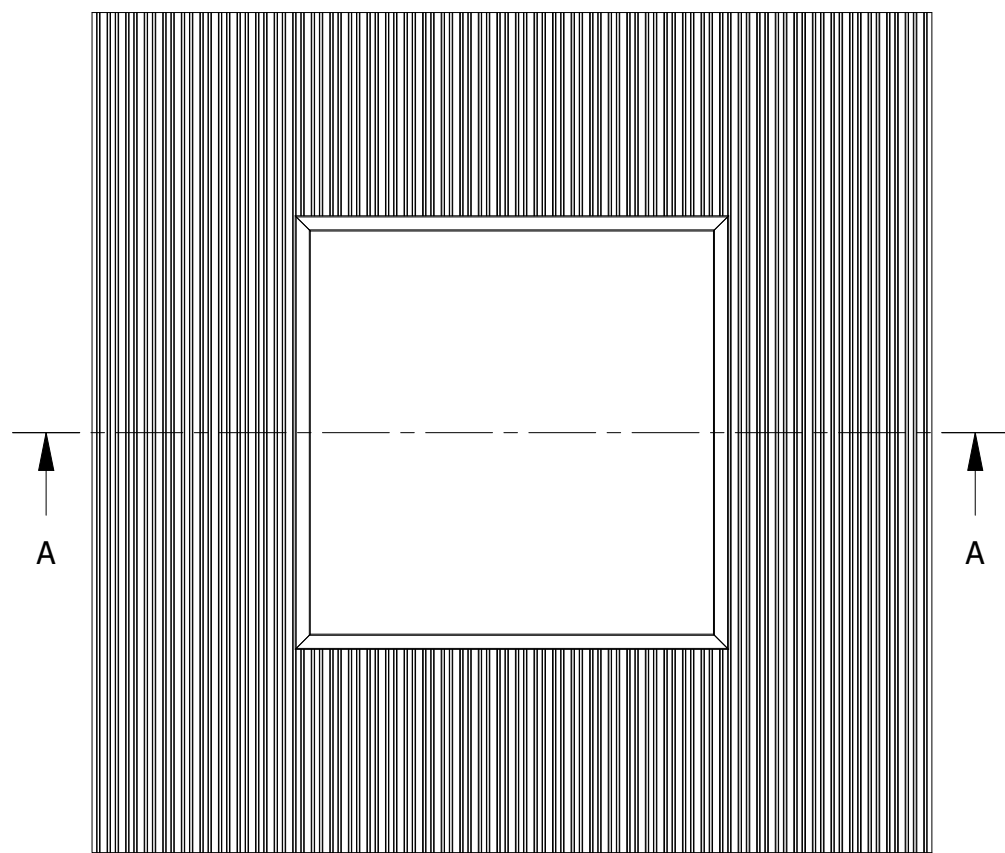
ISOMETRIC VIEW
SCALE 1 : 45

Client Drawing Approval
Name:
Signature:
Date:

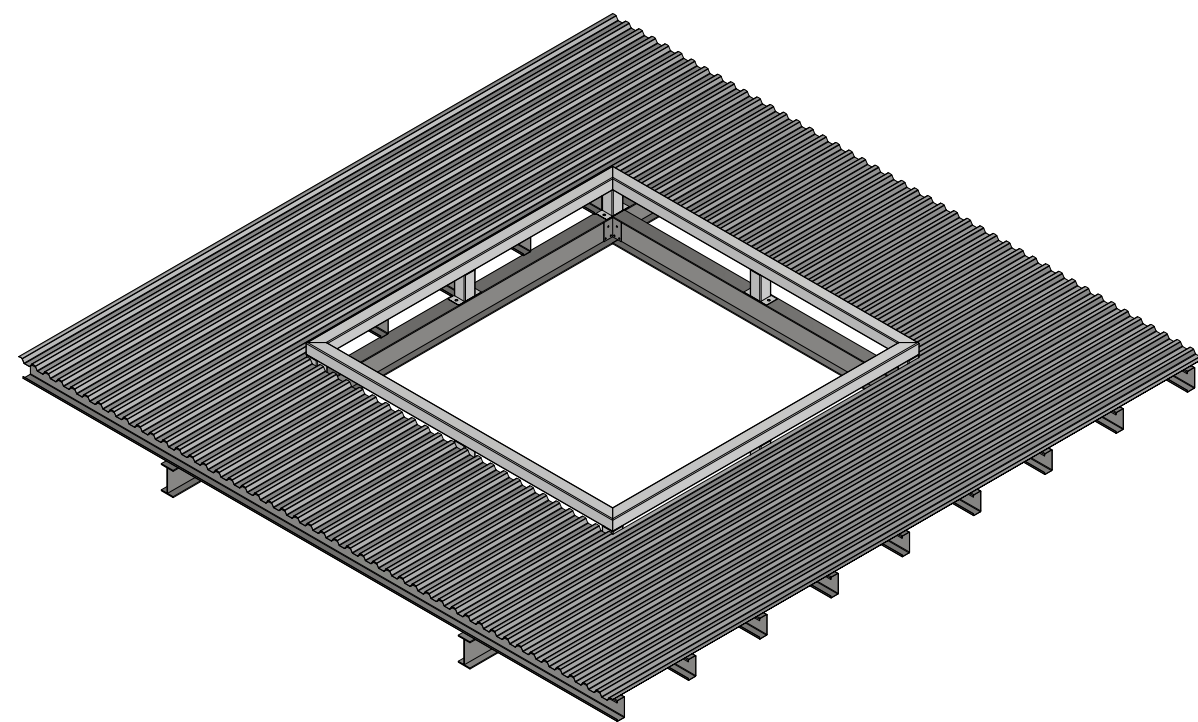
CLIENT:	DESIGNER: J.BATOON	DATE CREATED: 08/07/2023	MATERIAL:	Skyspan Australia Pty Ltd 1 Gibbon Rd, Baulkham Hills NSW 2153, Australia Website: https://www.skyspan.com.au	
BUSINESS NAME:	DRAWN BY: C.QUINOL	DATE DRAWN: 15/02/2024	THICKNESS (FOR SHEET):		
PROJECT NAME:	MODIFIED BY: M.AMIT	DATE MODIFIED: 08/03/2024	FINISH/COLOR:	PART NUMBER: SB-2000-00	REVISION: A
QUOTE NUMBER:	CHECKED BY:	CHECKED DATE:	ESTIMATED MASS: N/A	VOLUME: N/A	
WORK ORDER NUMBER:	APPROVED BY:	APPROVED DATE:	SCALE: DO NOT SCALE	FILENAME: SB-2000-00.iam	SHEET 2 OF 8
REFERENCE ORDER NUMBER:	TOLERANCES UNLESS OTHERWISE SPECIFIED IN MM			SIZE A3	
JOB NUMBER:	FLASHING #:	COPYRIGHT: THE DESIGN DETAILS SHOWN ON THIS DRAWING ARE SPECIFIC TO THIS PROJECT ONLY AND MAY NOT BE REPRODUCED IN WHOLE OR IN PART OR BE USED FOR ANY OTHER PROJECT OR PURPOSE WITHOUT THE WRITTEN CONSENT OF SKYSPAN AUSTRALIA PTY LTD. ©COPYRIGHT 2024 SKYSPAN			
	FLASHING QTY:				

This Skylight system is covered by Australian Patent Pending Number 2021901063 and New Zealand Patent Pending Number 774968.

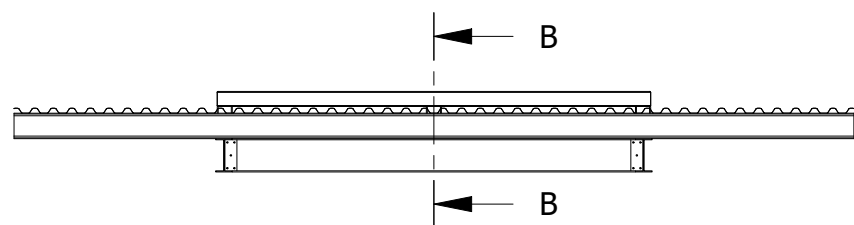
FILL IN ALL BOXES PROVIDED.



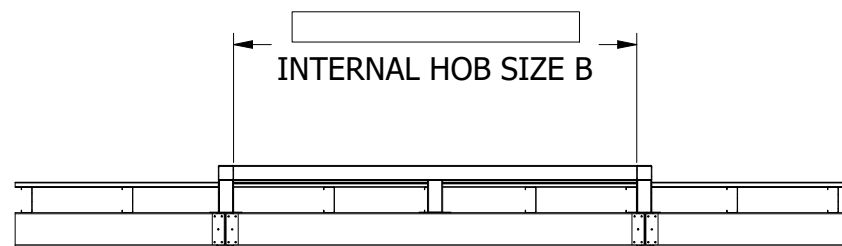
TOP VIEW
SCALE 1 : 45



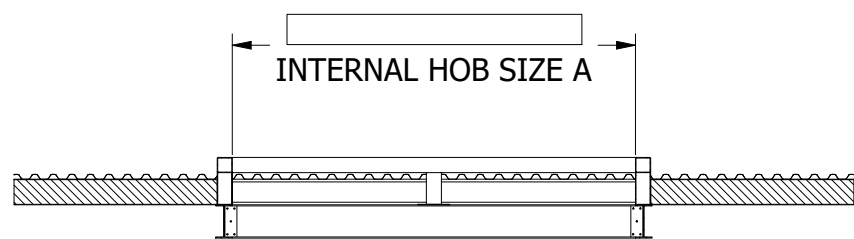
ISOMETRIC VIEW
SCALE 1 : 45



FRONT VIEW
SCALE 1 : 45



SECTION B-B
SCALE 1 : 45



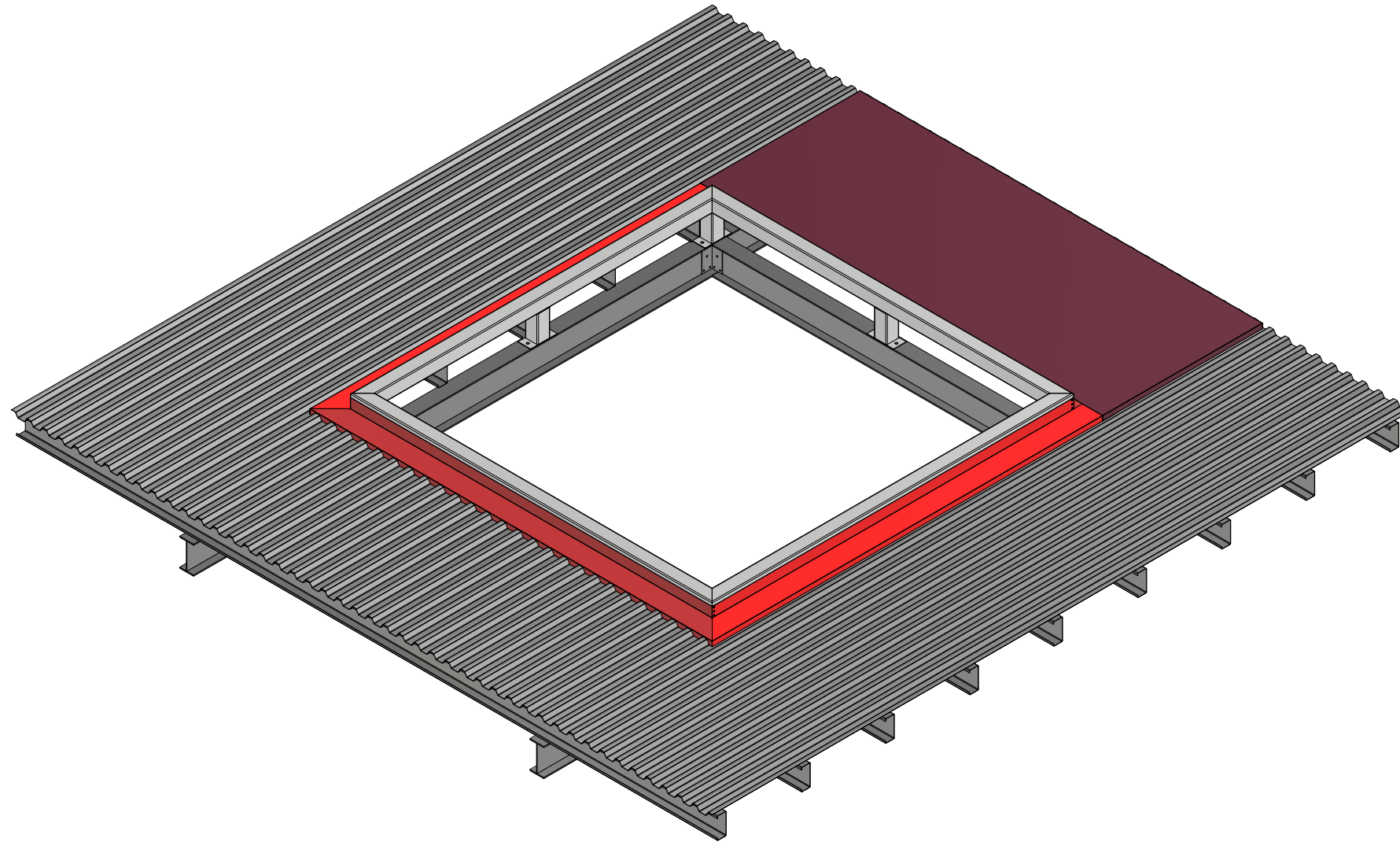
SECTION A-A
SCALE 1 : 45

Client Drawing Approval
Name:
Signature:
Date:


CLIENT:	DESIGNER: J.BATOON	DATE CREATED: 08/07/2023	MATERIAL:	Skyspan Australia Pty Ltd 1 Gibbon Rd, Baulkham Hills NSW 2153, Australia Website: https://www.skyspan.com.au	
BUSINESS NAME:	DRAWN BY: C.QUINOL	DATE DRAWN: 15/02/2024	THICKNESS (FOR SHEET):		
PROJECT NAME:	MODIFIED BY: M.AMIT	DATE MODIFIED: 08/03/2024	FINISH/COLOR:	PART NUMBER: SB-2000-00	REVISION A
QUOTE NUMBER:	CHECKED BY:	CHECKED DATE:	ESTIMATED MASS: N/A	VOLUME: N/A	TITLE: GXL - 0° STEEL HOB
WORK ORDER NUMBER:	APPROVED BY:	APPROVED DATE:	SCALE: DO NOT SCALE	FILENAME: SB-2000-00.iam	SHEET 3 OF 8
REFERENCE ORDER NUMBER:	TOLERANCES UNLESS OTHERWISE SPECIFIED IN MM			SIZE A3	
JOB NUMBER:	FLASHING #:	COPYRIGHT: THE DESIGN DETAILS SHOWN ON THIS DRAWING ARE SPECIFIC TO THIS PROJECT ONLY AND MAY NOT BE REPRODUCED IN WHOLE OR IN PART OR BE USED FOR ANY OTHER PROJECT OR PURPOSE WITHOUT THE WRITTEN CONSENT OF SKYSPAN AUSTRALIA PTY LTD. ©COPYRIGHT 2024 SKYSPAN			
	FLASHING QTY:				

This Skylight system is covered by Australian Patent Pending Number 2021901063 and New Zealand Patent Pending Number 774968.

Note: Flashing example shown as red is by others. Flashing details such as heights and widths and whether a back flashing to the ridge is used will be determined by the roofer.

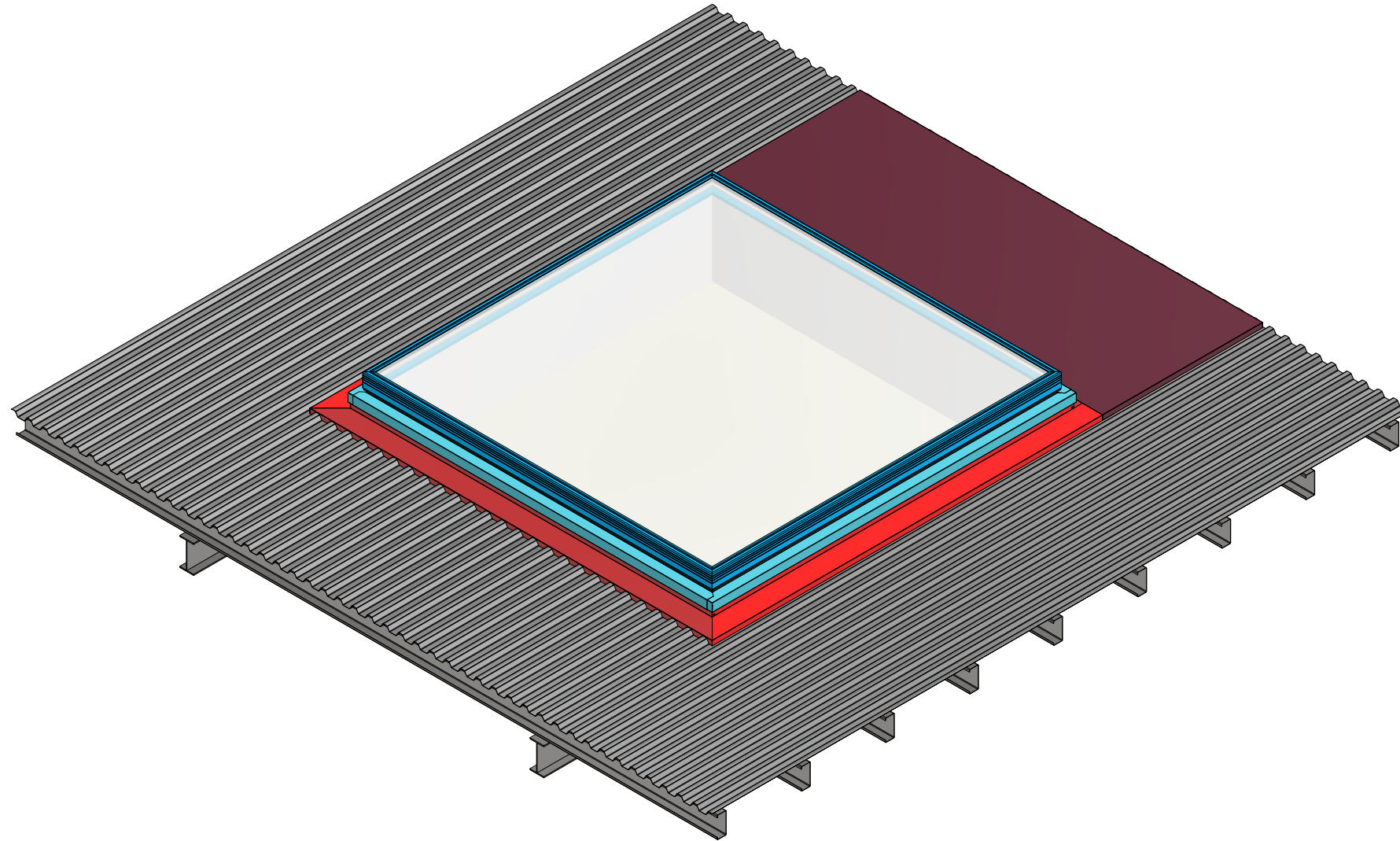


ISOMETRIC VIEW
SCALE 1 : 30


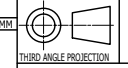
CLIENT:	DESIGNER: J.BATOON	DATE CREATED: 08/07/2023	MATERIAL:	Skyspan Australia Pty Ltd 1 Gibbon Rd, Baulkham Hills NSW 2153, Australia Website: https://www.skyspan.com.au		
BUSINESS NAME:	DRAWN BY: C.QUINOL	DATE DRAWN: 15/02/2024	THICKNESS (FOR SHEET):	PART NUMBER: SB-2000-00		
PROJECT NAME:	MODIFIED BY: M.AMIT	DATE MODIFIED: 08/03/2024	FINISH/COLOR:	TITLE: GXL - 0° STEEL HOB		
QUOTE NUMBER:	CHECKED BY:	CHECKED DATE:	ESTIMATED MASS: N/A	VOLUME: N/A	SCALE: DO NOT SCALE	
WORK ORDER NUMBER:	APPROVED BY:	APPROVED DATE:	SIZE A3		FILENAME: SB-2000-00.iam	
REFERENCE ORDER NUMBER:	TOLERANCES UNLESS OTHERWISE SPECIFIED IN MM		THIRD ANGLE PROJECTION		SHEET 4 OF 8	
JOB NUMBER:	FLASHING #:	COPYRIGHT: THE DESIGN DETAILS SHOWN ON THIS DRAWING ARE SPECIFIC TO THIS PROJECT ONLY AND MAY NOT BE REPRODUCED IN WHOLE OR IN PART OR BE USED FOR ANY OTHER PROJECT OR PURPOSE WITHOUT THE WRITTEN CONSENT OF SKYSPAN AUSTRALIA PTY LTD. ©COPYRIGHT 2024 SKYSPAN				
	FLASHING QTY:					

This Skylight system is covered by Australian Patent Pending Number 2021901063 and New Zealand Patent Pending Number 774968.

Note: Flashing example shown as red is by others. Flashing details such as heights and widths and whether a back flashing to the ridge is used will be determined by the roofer.

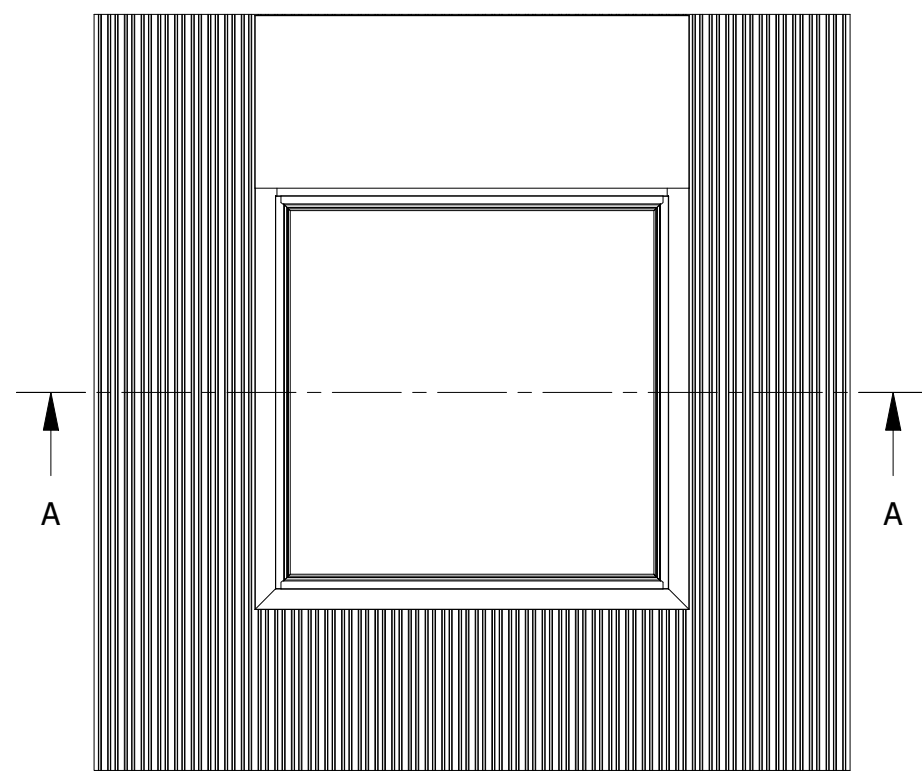


ISOMETRIC VIEW
SCALE 1 : 30

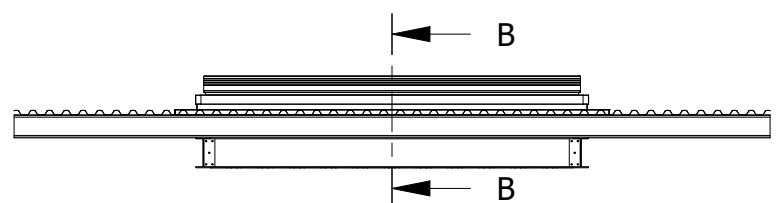
CLIENT:	DESIGNER: J.BATOON	DATE CREATED: 08/07/2023	MATERIAL:	Skyspan Australia Pty Ltd 1 Gibbon Rd, Baulkham Hills NSW 2153, Australia Website: https://www.skyspan.com.au		
BUSINESS NAME:	DRAWN BY: C.QUINOL	DATE DRAWN: 15/02/2024	THICKNESS (FOR SHEET):	PART NUMBER: SB-2000-00		
PROJECT NAME:	MODIFIED BY: M.AMIT	DATE MODIFIED: 08/03/2024	FINISH/COLOR:	ESTIMATED MASS: N/A		VOLUME: N/A
QUOTE NUMBER:	CHECKED BY:	CHECKED DATE:	ESTIMATED MASS: N/A	VOLUME: N/A		TITLE: GXL - 0° STEEL HOB
WORK ORDER NUMBER:	APPROVED BY:	APPROVED DATE:			SIZE A3	FILENAME: SB-2000-00.iam
REFERENCE ORDER NUMBER:	TOLERANCES UNLESS OTHERWISE SPECIFIED IN MM		SCALE: DO NOT SCALE		SHEET 5 OF 8	
JOB NUMBER:	FLASHING #:	<small>COPYRIGHT: THE DESIGN DETAILS SHOWN ON THIS DRAWING ARE SPECIFIC TO THIS PROJECT ONLY AND MAY NOT BE REPRODUCED IN WHOLE OR IN PART OR BE USED FOR ANY OTHER PROJECT OR PURPOSE WITHOUT THE WRITTEN CONSENT OF SKYSPAN AUSTRALIA PTY LTD. ©COPYRIGHT 2024 SKYSPAN</small>				
	FLASHING QTY:					

This Skylight system is covered by Australian Patent Pending Number 2021901063 and New Zealand Patent Pending Number 774968.

FILL IN ALL BOXES PROVIDED.



TOP VIEW
SCALE 1 : 50



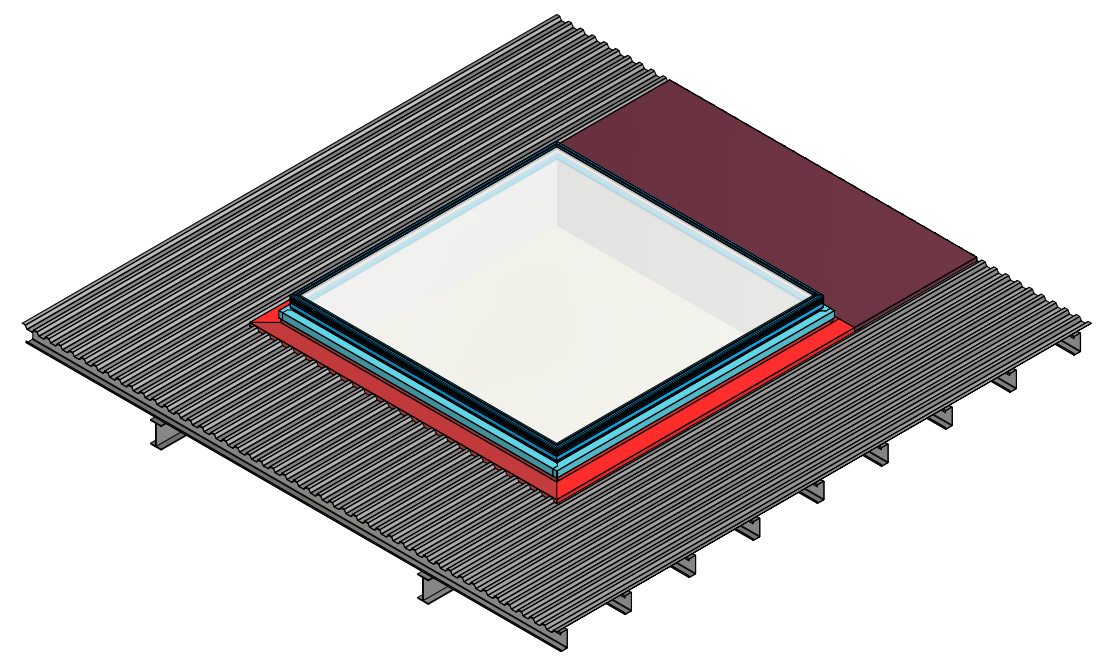
FRONT VIEW
SCALE 1 : 50



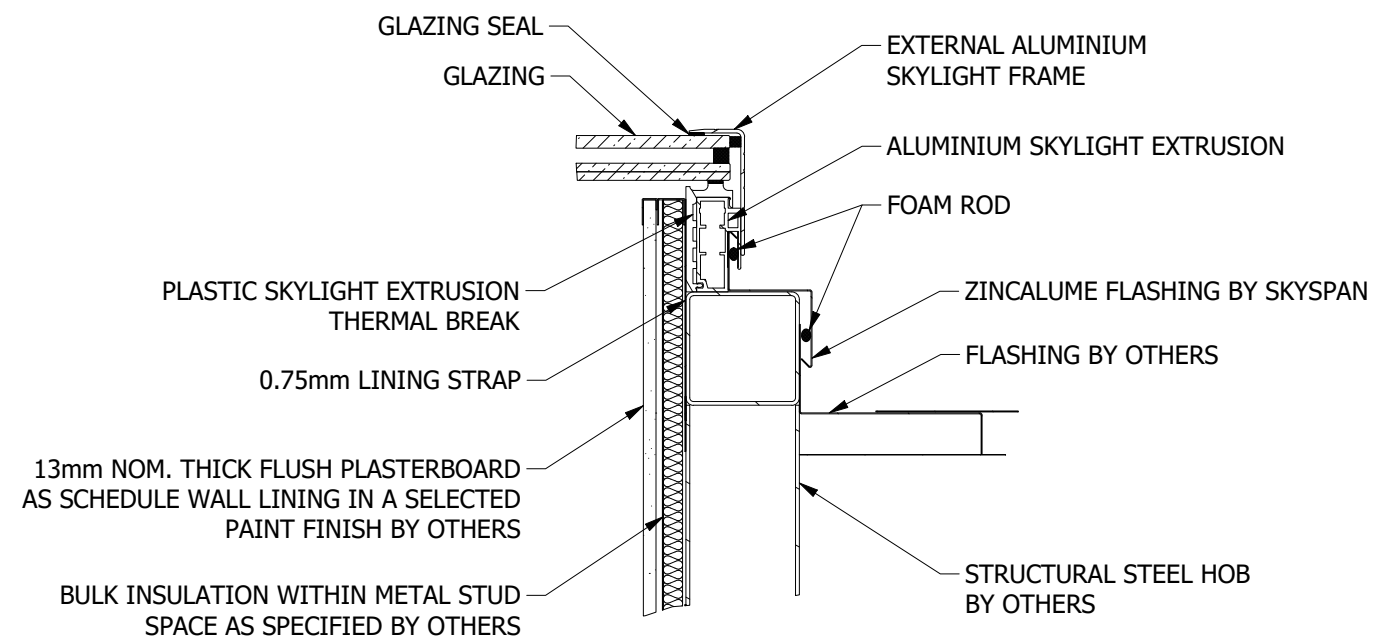
SECTION A-A
SCALE 1 : 50



SECTION B-B
SCALE 1 : 50



ISOMETRIC VIEW
SCALE 1 : 50



DETAIL D
SCALE 1 : 6

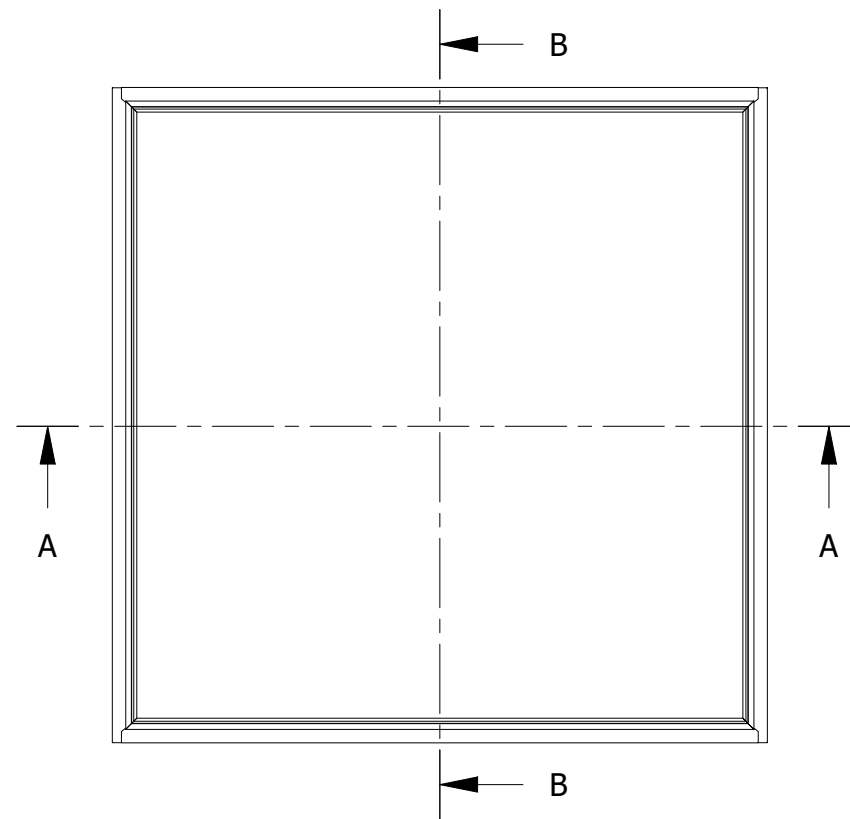
Client Drawing Approval

Name:
Signature:
Date:

This Skylight system is covered by Australian Patent Pending Number 2021901063 and New Zealand Patent Pending Number 774968.

CLIENT:	DESIGNER: J.BATOON	DATE CREATED: 08/07/2023	MATERIAL:	Skyspan Australia Pty Ltd 1 Gibbon Rd, Baulkham Hills NSW 2153, Australia Website: https://www.skyspan.com.au	
BUSINESS NAME:	DRAWN BY: C.QUINOL	DATE DRAWN: 15/02/2024	THICKNESS (FOR SHEET):		
PROJECT NAME:	MODIFIED BY: M.AMIT	DATE MODIFIED: 08/03/2024	FINISH/COLOR:	PART NUMBER: SB-2000-00	REVISION A
QUOTE NUMBER:	CHECKED BY:	CHECKED DATE:	ESTIMATED MASS: N/A	VOLUME: N/A	
WORK ORDER NUMBER:	APPROVED BY:	APPROVED DATE:	SCALE: DO NOT SCALE	FILENAME: SB-2000-00.iam	SHEET 6 OF 8
REFERENCE ORDER NUMBER:	TOLERANCES UNLESS OTHERWISE SPECIFIED IN MM			SIZE A3	
JOB NUMBER:	COPYRIGHT: THE DESIGN DETAILS SHOWN ON THIS DRAWING ARE SPECIFIC TO THIS PROJECT ONLY AND MAY NOT BE REPRODUCED IN WHOLE OR IN PART OR BE USED FOR ANY OTHER PROJECT OR PURPOSE WITHOUT THE WRITTEN CONSENT OF SKYSPAN AUSTRALIA PTY LTD. ©COPYRIGHT 2024 SKYSPAN				

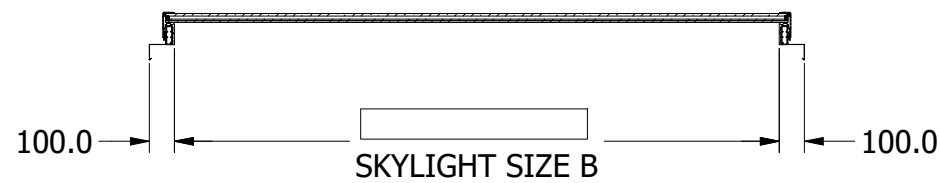
FILL IN ALL BOXES PROVIDED.



TOP VIEW
SCALE 1 : 30



SECTION A-A
SCALE 1 : 30

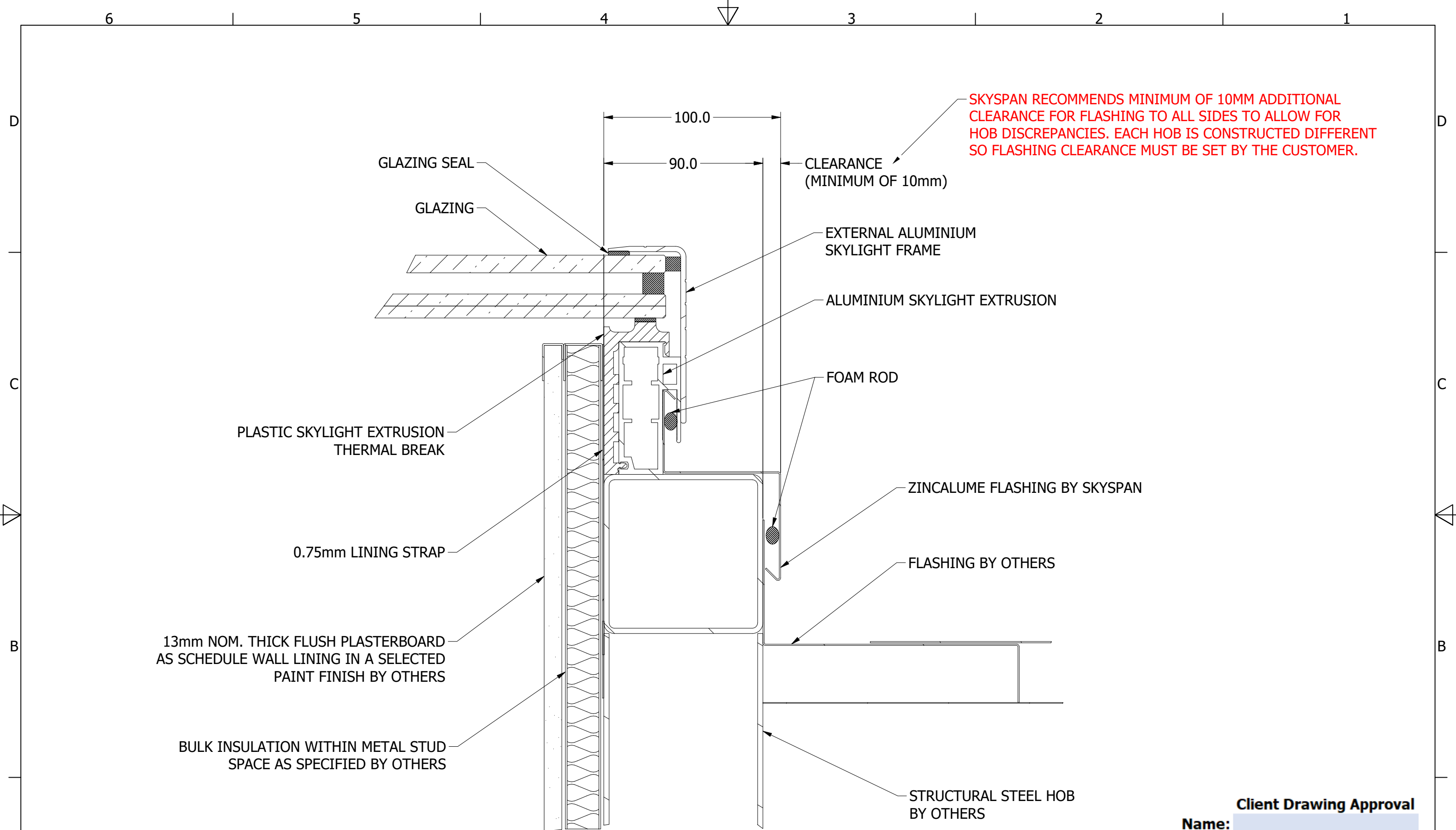


SECTION B-B
SCALE 1 : 30

Client Drawing Approval
Name:
Signature:
Date:

CLIENT:	DESIGNER: J.BATOON	DATE CREATED: 08/07/2023	MATERIAL:	Skyspan Australia Pty Ltd 1 Gibbon Rd, Baulkham Hills NSW 2153, Australia Website:https://www.skyspan.com.au	
BUSINESS NAME:	DRAWN BY: C.QUINOL	DATE DRAWN: 15/02/2024	THICKNESS (FOR SHEET):		
PROJECT NAME:	MODIFIED BY: M.AMIT	DATE MODIFIED: 08/03/2024	FINISH/COLOR:	PART NUMBER: SB-2000-00	REVISION A
QUOTE NUMBER:	CHECKED BY:	CHECKED DATE:	ESTIMATED MASS: N/A	VOLUME: N/A	
WORK ORDER NUMBER:	APPROVED BY:	APPROVED DATE:	SIZE A3		
REFERENCE ORDER NUMBER:	TOLERANCES UNLESS OTHERWISE SPECIFIED IN MM				
JOB NUMBER:	FLASHING #:	COPYRIGHT: THE DESIGN DETAILS SHOWN ON THIS DRAWING ARE SPECIFIC TO THIS PROJECT ONLY AND MAY NOT BE REPRODUCED IN WHOLE OR IN PART OR BE USED FOR ANY OTHER PROJECT OR PURPOSE WITHOUT THE WRITTEN CONSENT OF SKYSPAN AUSTRALIA PTY LTD. ©COPYRIGHT 2024 SKYSPAN		SCALE: DO NOT SCALE	FILENAME: SB-2000-00.iam
	FLASHING QTY:				SHEET 7 OF 8

This Skylight system is covered by Australian Patent Pending Number 2021901063 and New Zealand Patent Pending Number 774968.



SECTION DETAIL VIEW
SCALE 1 : 2

Client Drawing Approval
 Name:
 Signature:
 Date:

CLIENT:	DESIGNER: J.BATOON	DATE CREATED: 08/07/2023	MATERIAL:	Skyspan Australia Pty Ltd 1 Gibbon Rd, Baulkham Hills NSW 2153, Australia Website: https://www.skyspan.com.au	
BUSINESS NAME:	DRAWN BY: C.QUINOL	DATE DRAWN: 15/02/2024	THICKNESS (FOR SHEET):		
PROJECT NAME:	MODIFIED BY: M.AMIT	DATE MODIFIED: 08/03/2024	FINISH/COLOR:	PART NUMBER: SB-2000-00	REVISION A
QUOTE NUMBER:	CHECKED BY:	CHECKED DATE:	ESTIMATED MASS: N/A	VOLUME: N/A	
WORK ORDER NUMBER:	APPROVED BY:	APPROVED DATE:	SIZE A3	TITLE: GXL - 0° STEEL HOB	
REFERENCE ORDER NUMBER:	TOLERANCES UNLESS OTHERWISE SPECIFIED IN MM			SCALE: DO NOT SCALE	FILENAME: SB-2000-00.iam
JOB NUMBER:	FLASHING #:	COPYRIGHT: THE DESIGN DETAILS SHOWN ON THIS DRAWING ARE SPECIFIC TO THIS PROJECT ONLY AND MAY NOT BE REPRODUCED IN WHOLE OR IN PART OR BE USED FOR ANY OTHER PROJECT OR PURPOSE WITHOUT THE WRITTEN CONSENT OF SKYSPAN AUSTRALIA PTY LTD. ©COPYRIGHT 2024 SKYSPAN			SHEET 8 OF 8

This Skylight system is covered by Australian Patent Pending Number 2021901063 and New Zealand Patent Pending Number 774968.